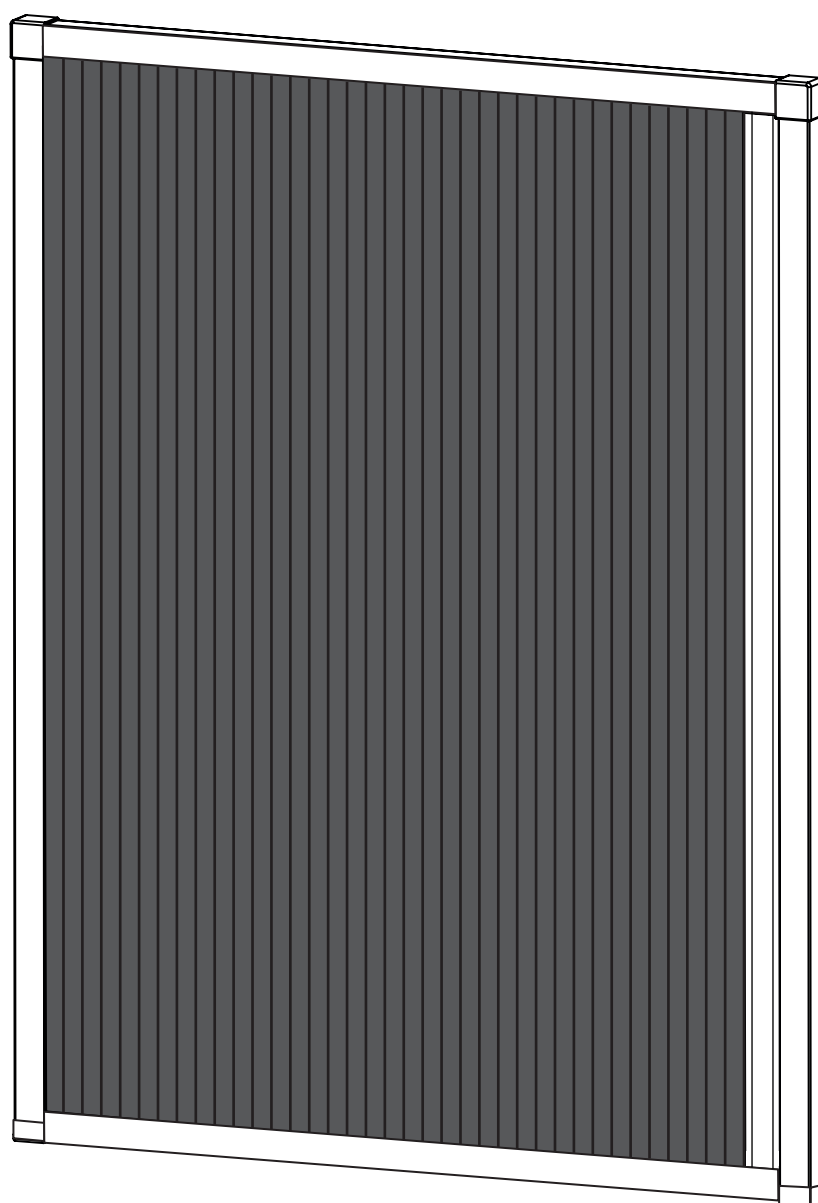
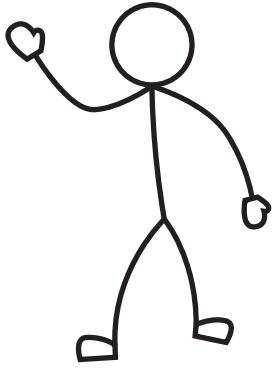


  
**SCHELLENBERG**

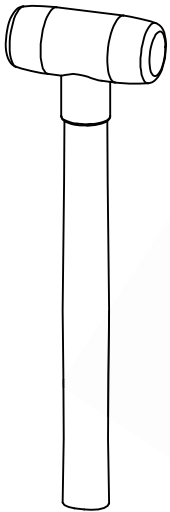
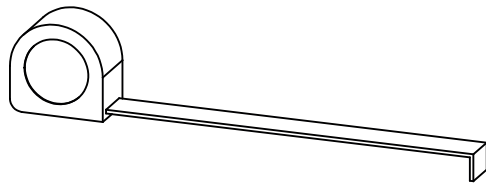
**PLISSEE**

70993, 70994

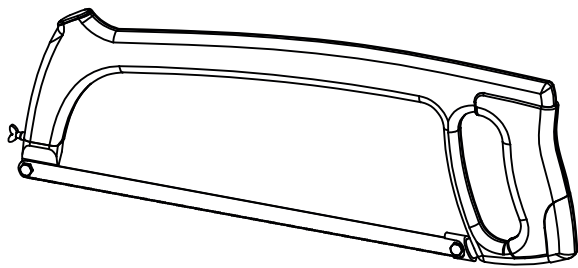
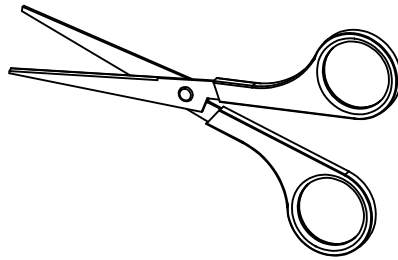




2x



PZ2





M  
4x

B1  
2x

B2  
2x

B3  
1x

B4  
1x

C1  
2x

C2  
2x

D1  
1x

D2  
1x

2x  
H

E  
10x

I  
1x

D1

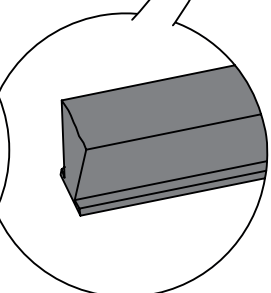
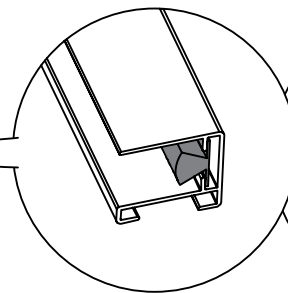
D2

C2

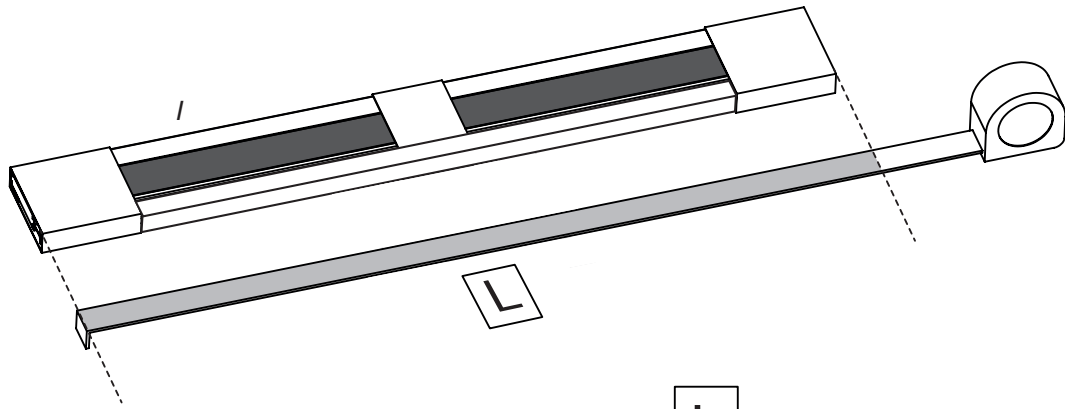
C1

J  
1x

N  
1x

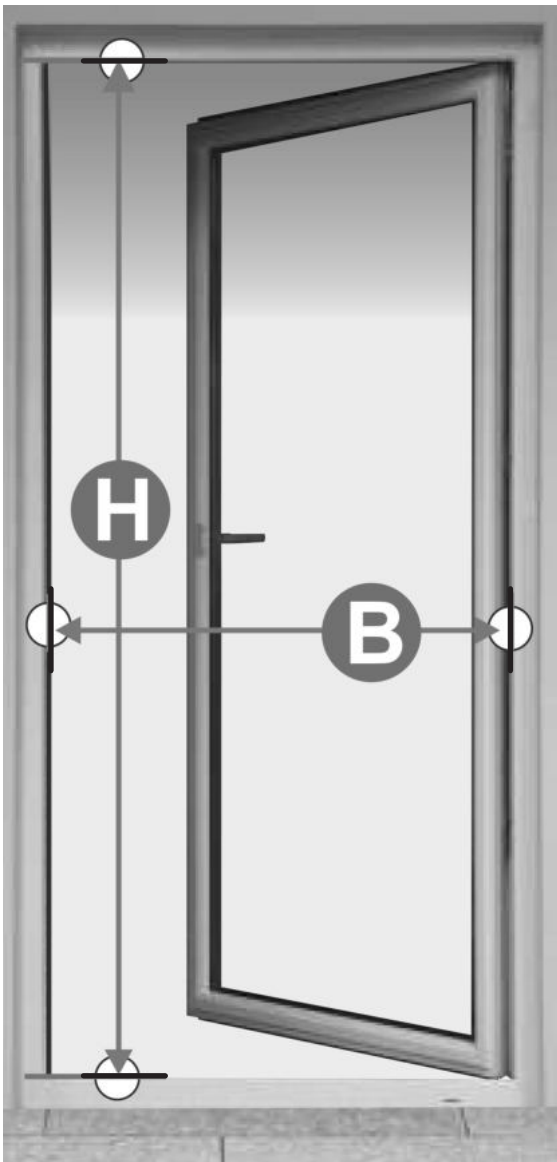


1.



L = \_\_\_\_\_ , \_\_\_\_\_ cm

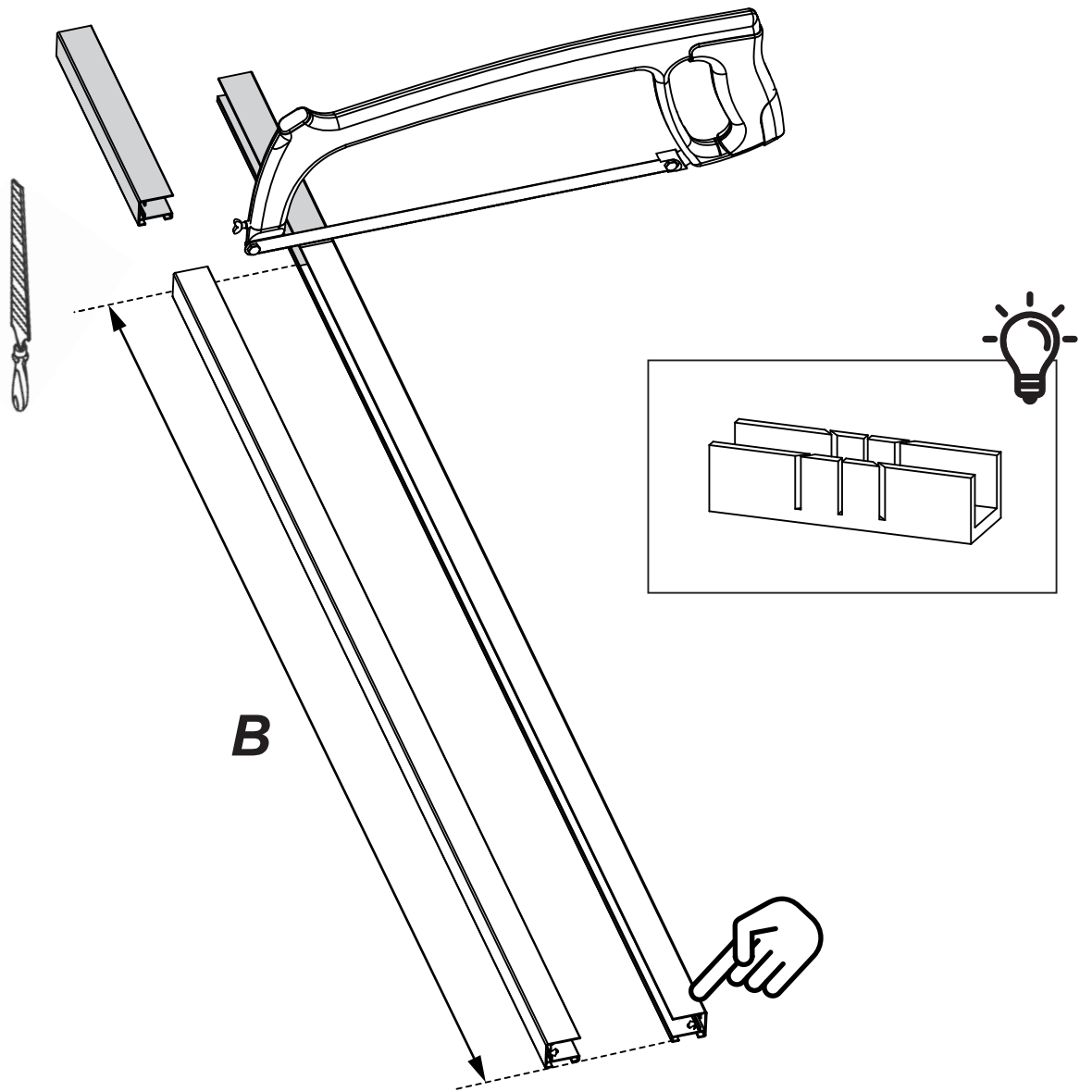
2.



B = \_\_\_\_\_ , \_\_\_\_\_ cm

H = \_\_\_\_\_ , \_\_\_\_\_ cm

3.

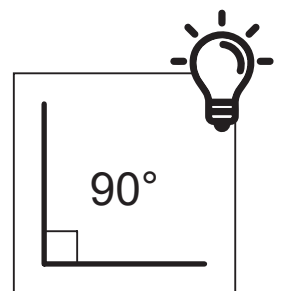
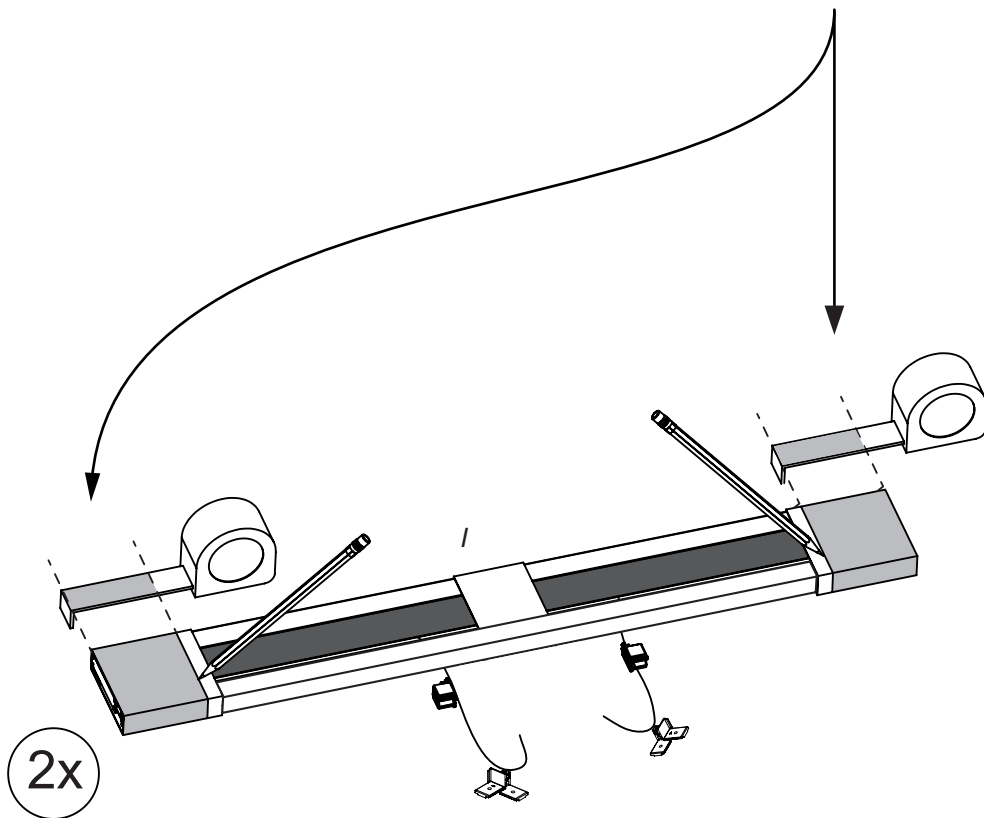


a)  $\boxed{L} - \boxed{H} = \underline{\hspace{1cm}}, \underline{\hspace{1cm}} \text{ cm} - \underline{\hspace{1cm}}, \underline{\hspace{1cm}} \text{ cm} = \underline{\hspace{1cm}}, \underline{\hspace{1cm}}$   
       \_\_\_\_\_ cm

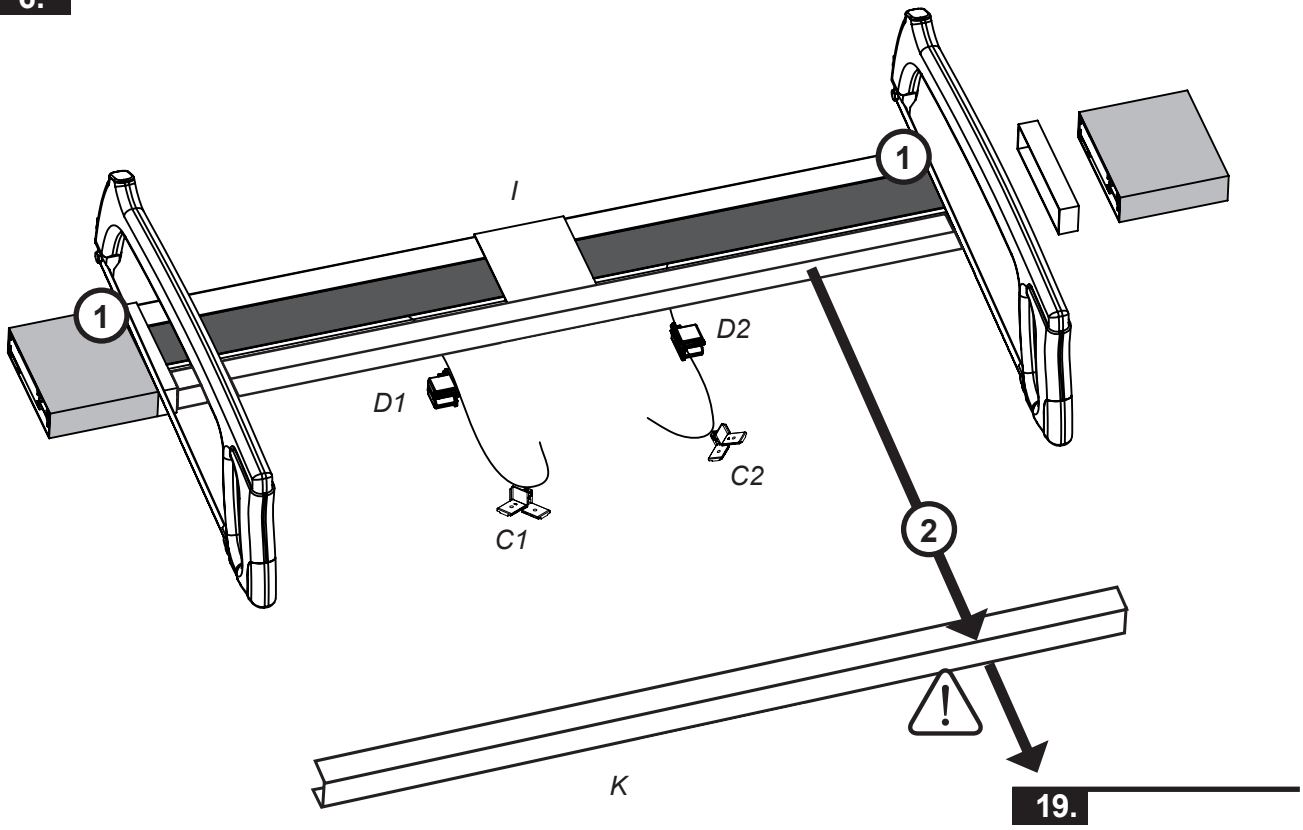
b) \_\_\_\_\_, \_\_\_\_\_ cm - 3,0 cm = \_\_\_\_\_, \_\_\_\_\_ cm

c)  $\frac{\underline{\hspace{1cm}}, \underline{\hspace{1cm}}}{2} = \boxed{\underline{\hspace{1cm}}, \underline{\hspace{1cm}} \text{ cm}}$

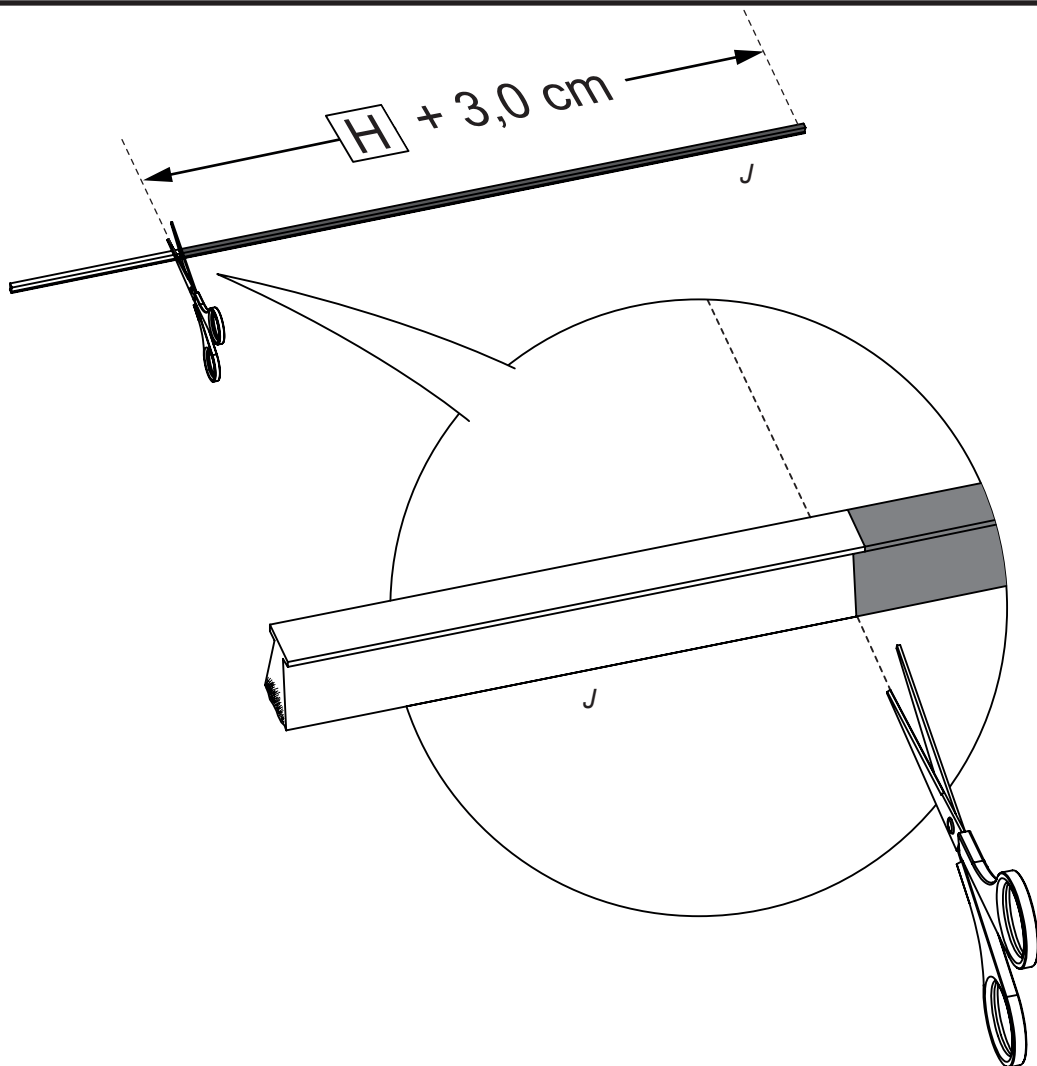
5.



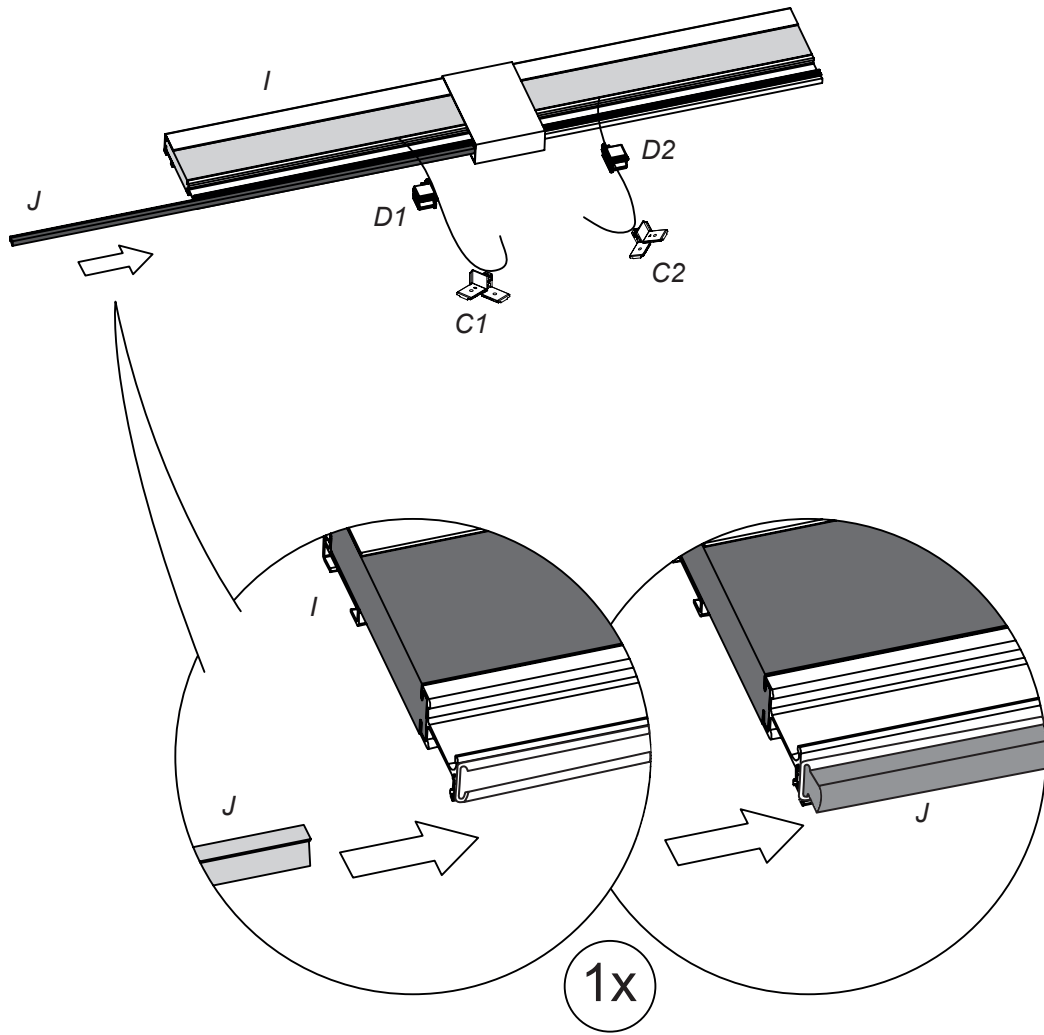
6.



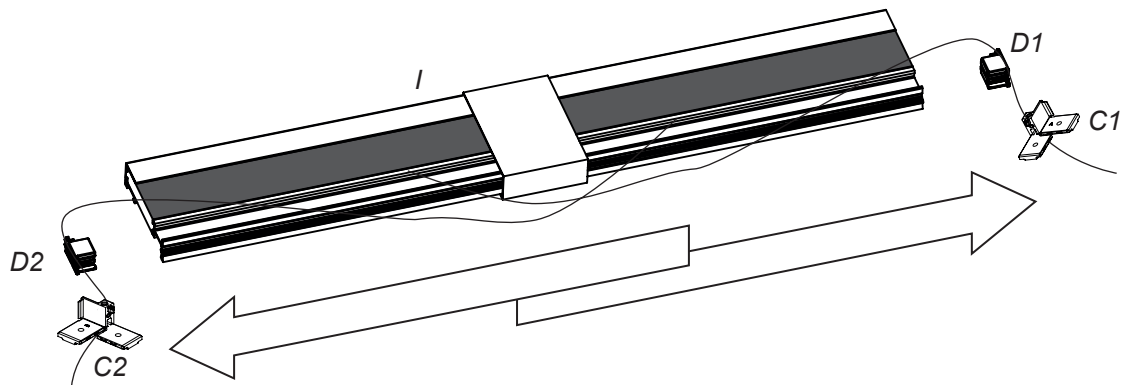
7.



8.

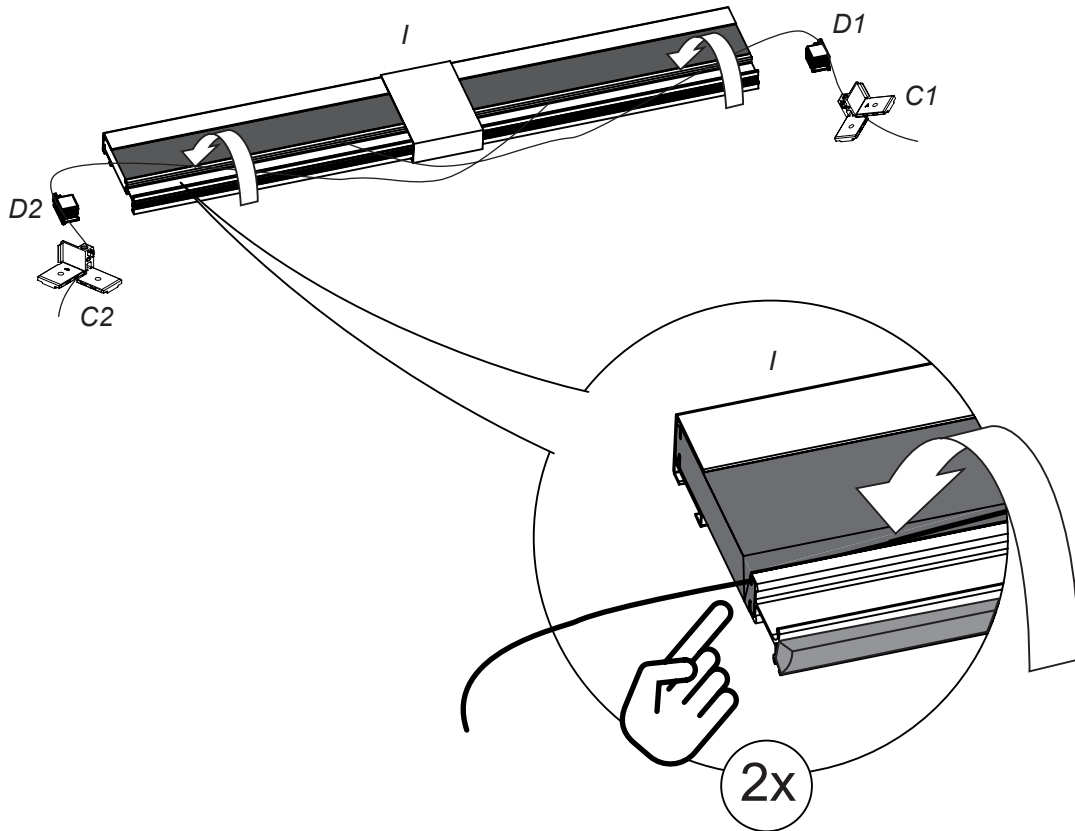


9.

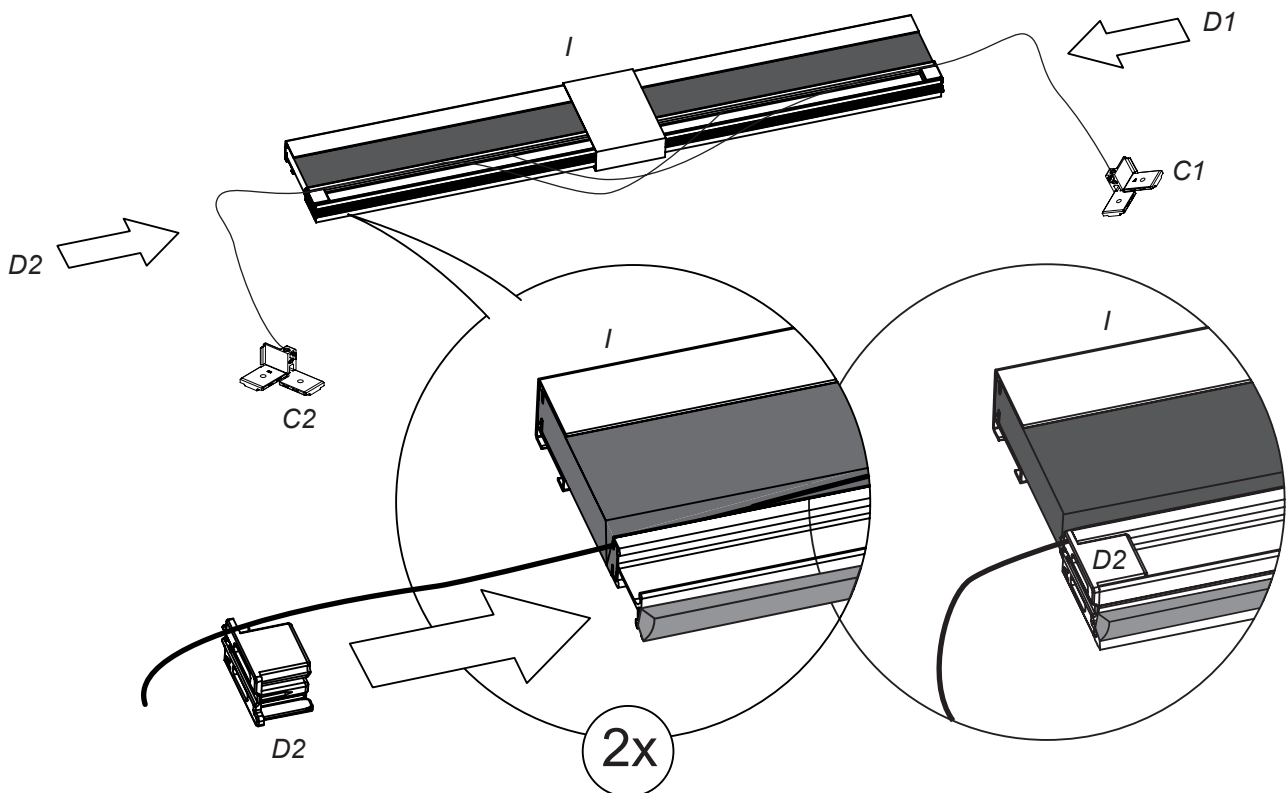


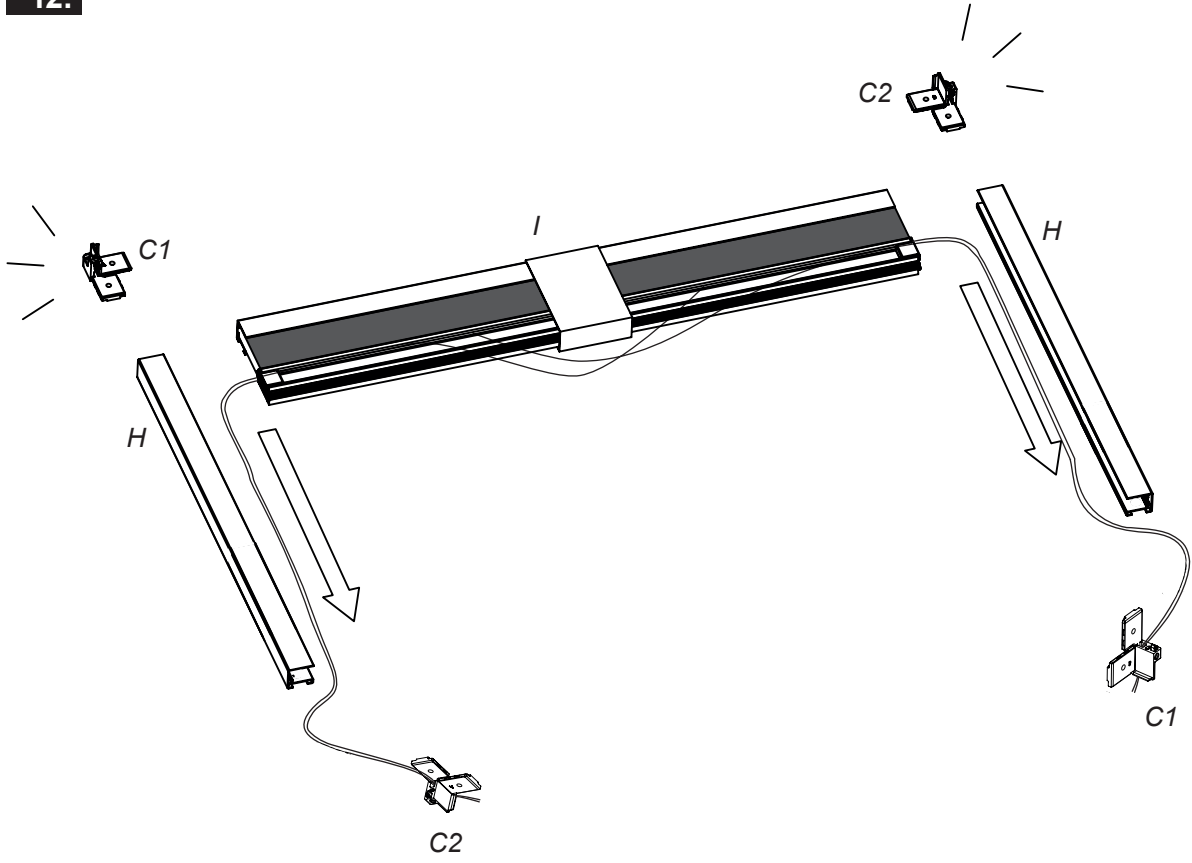


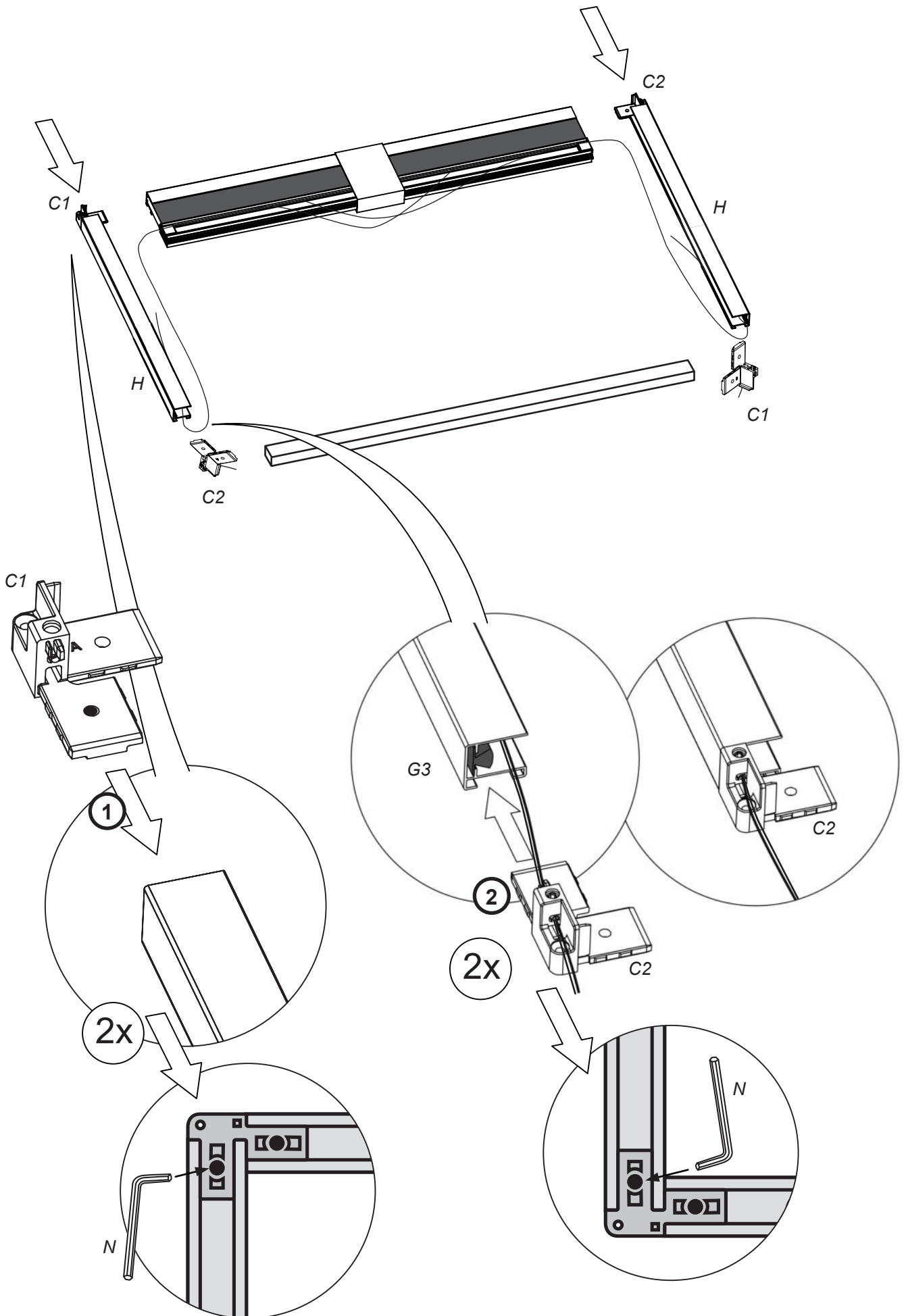
10.

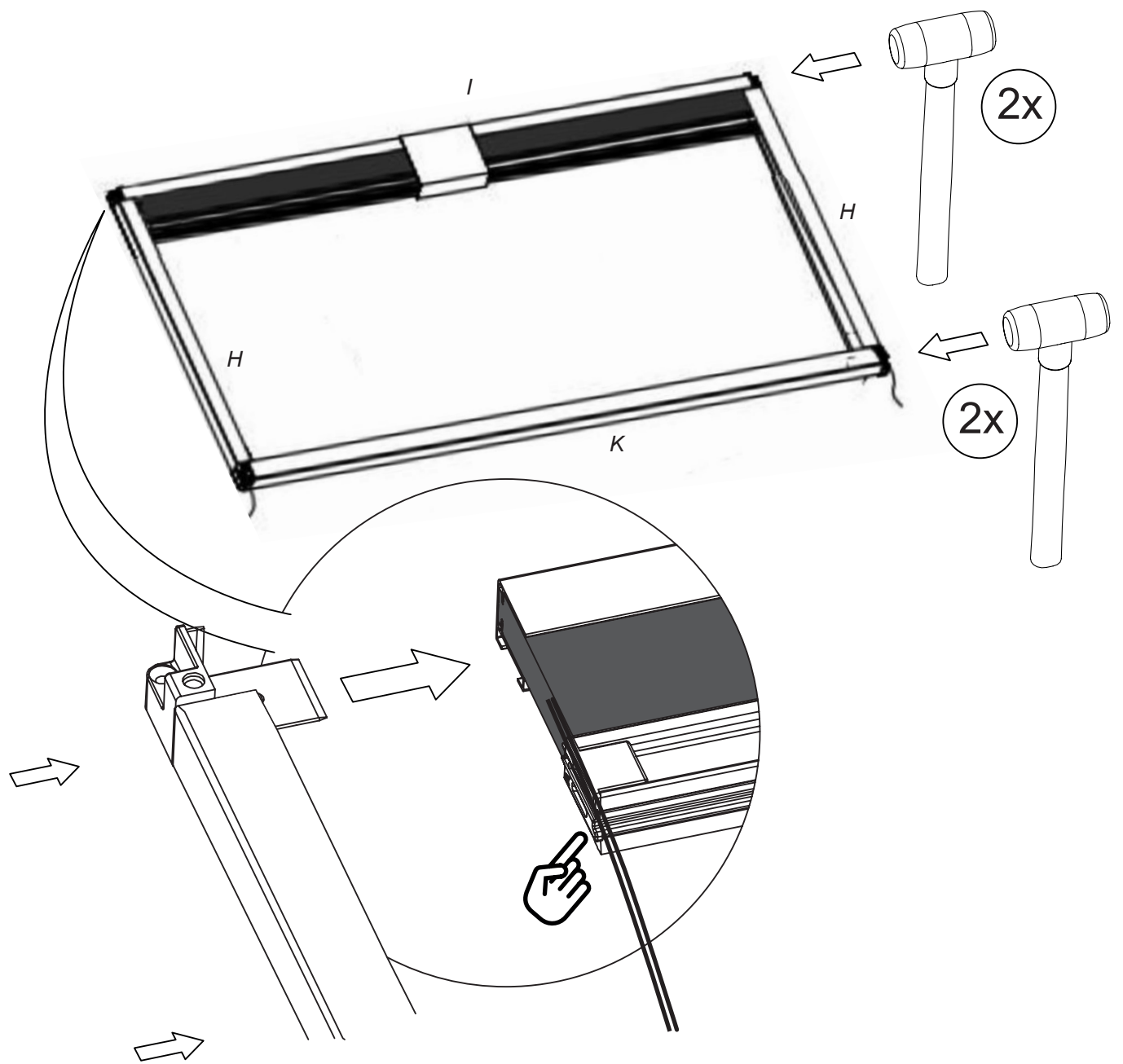


11.

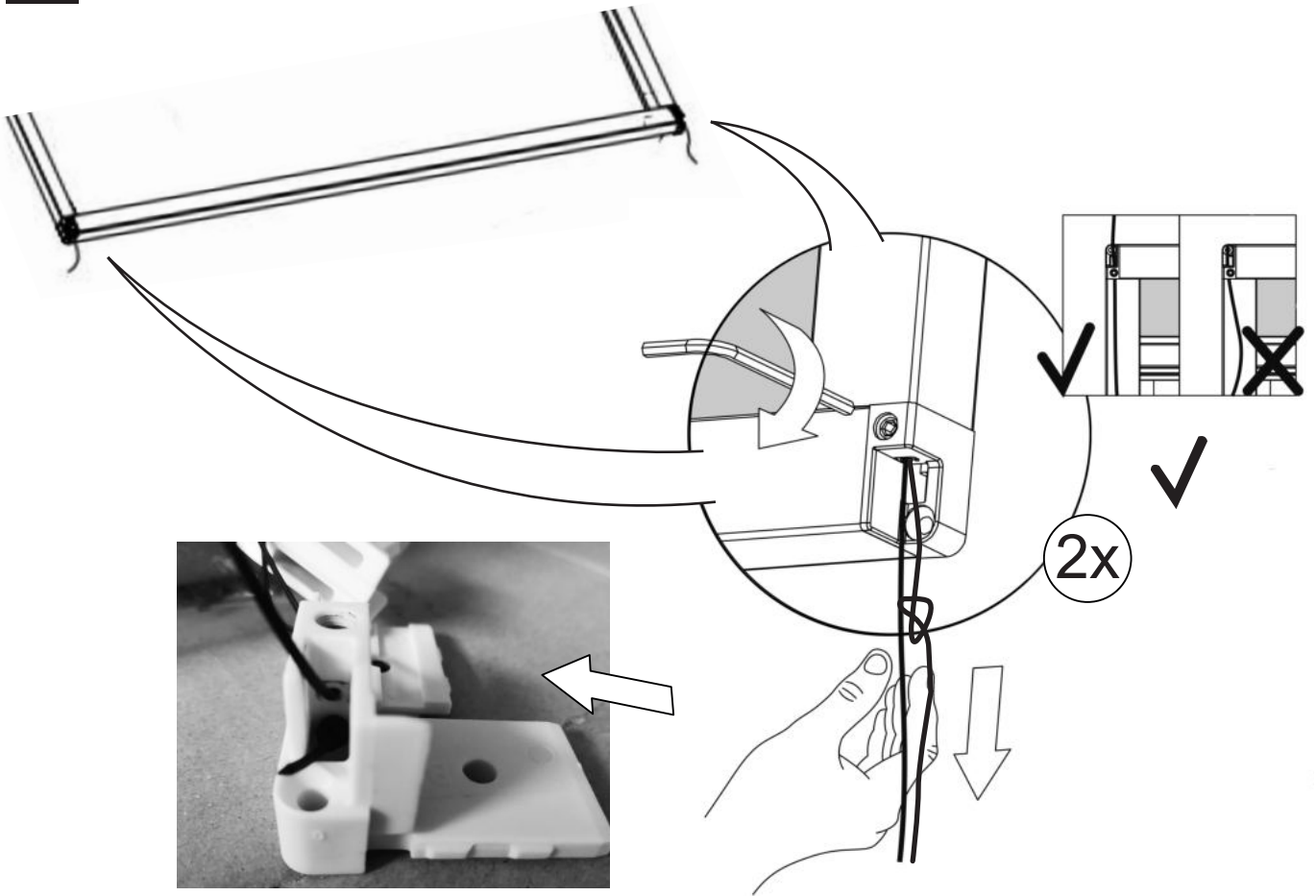




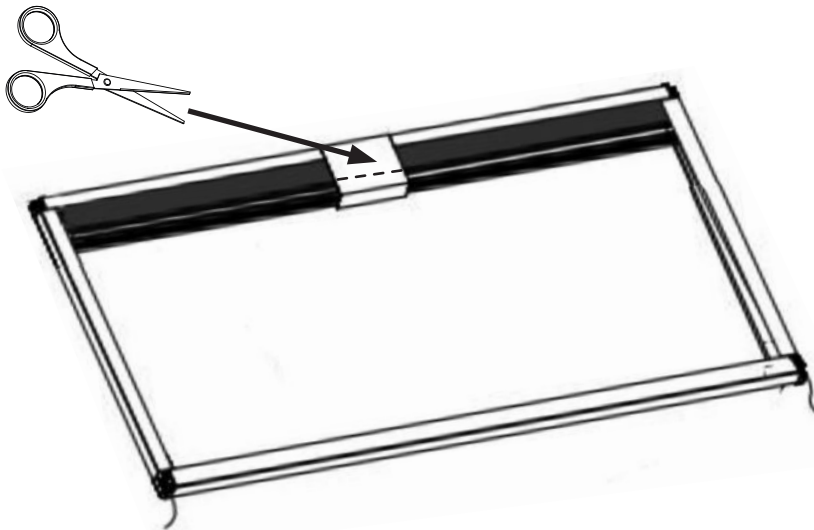




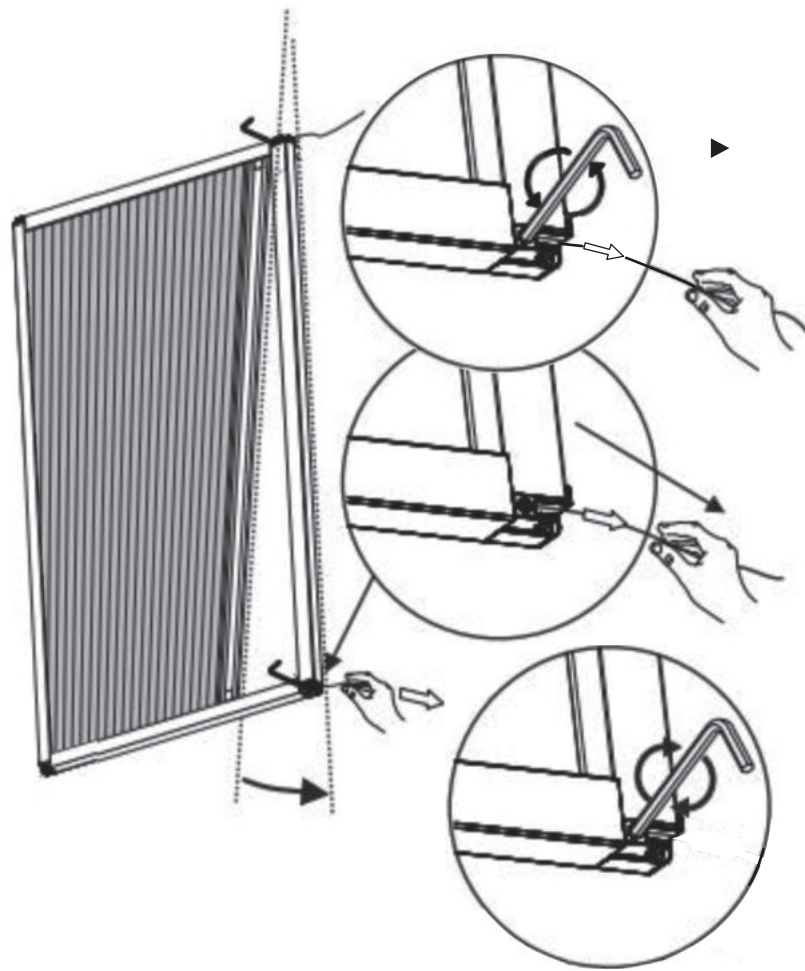
15.



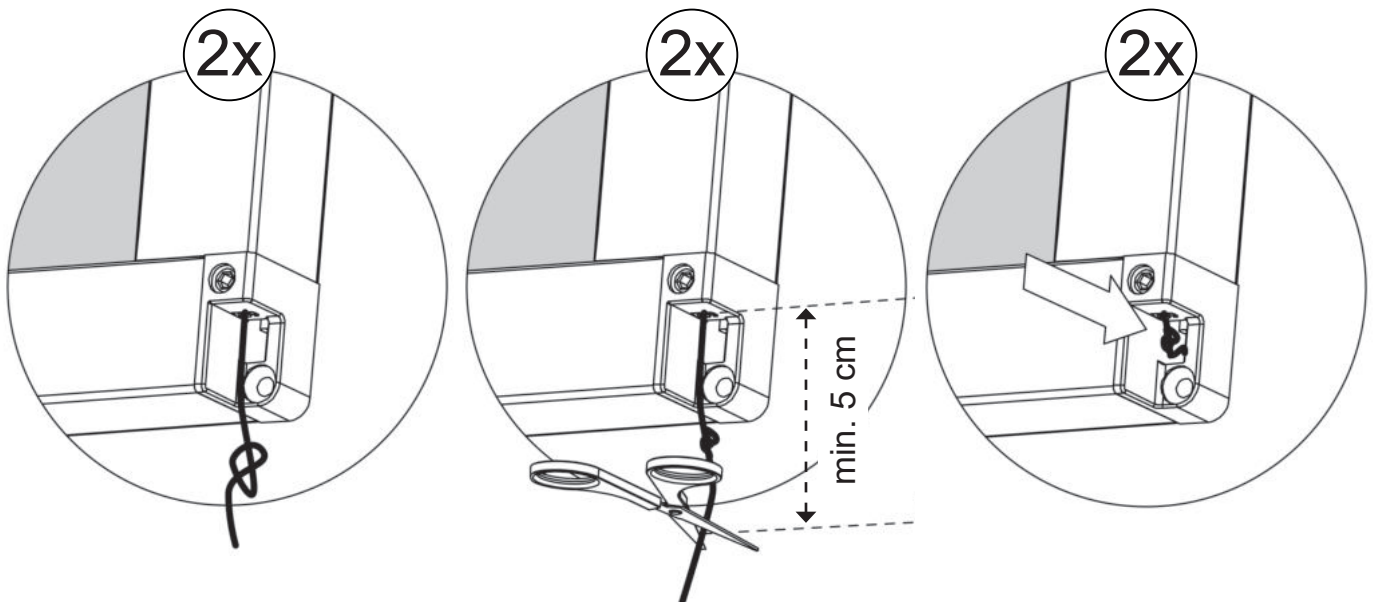
16.



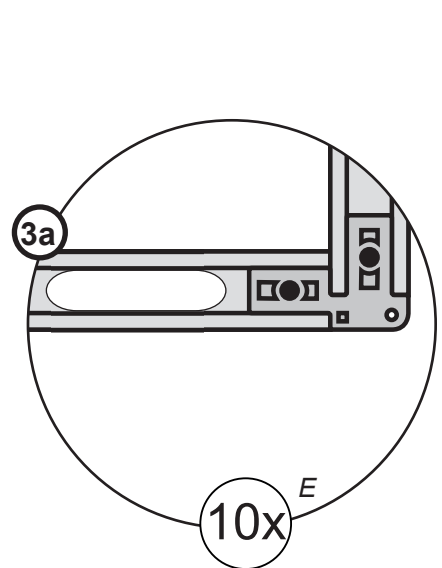
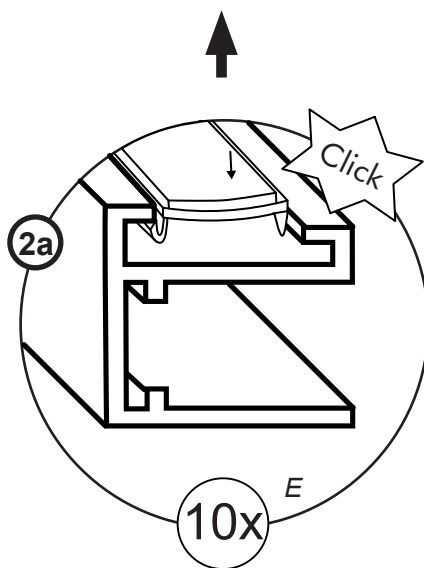
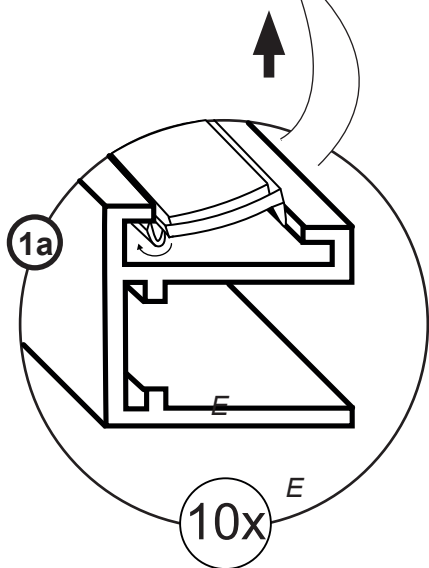
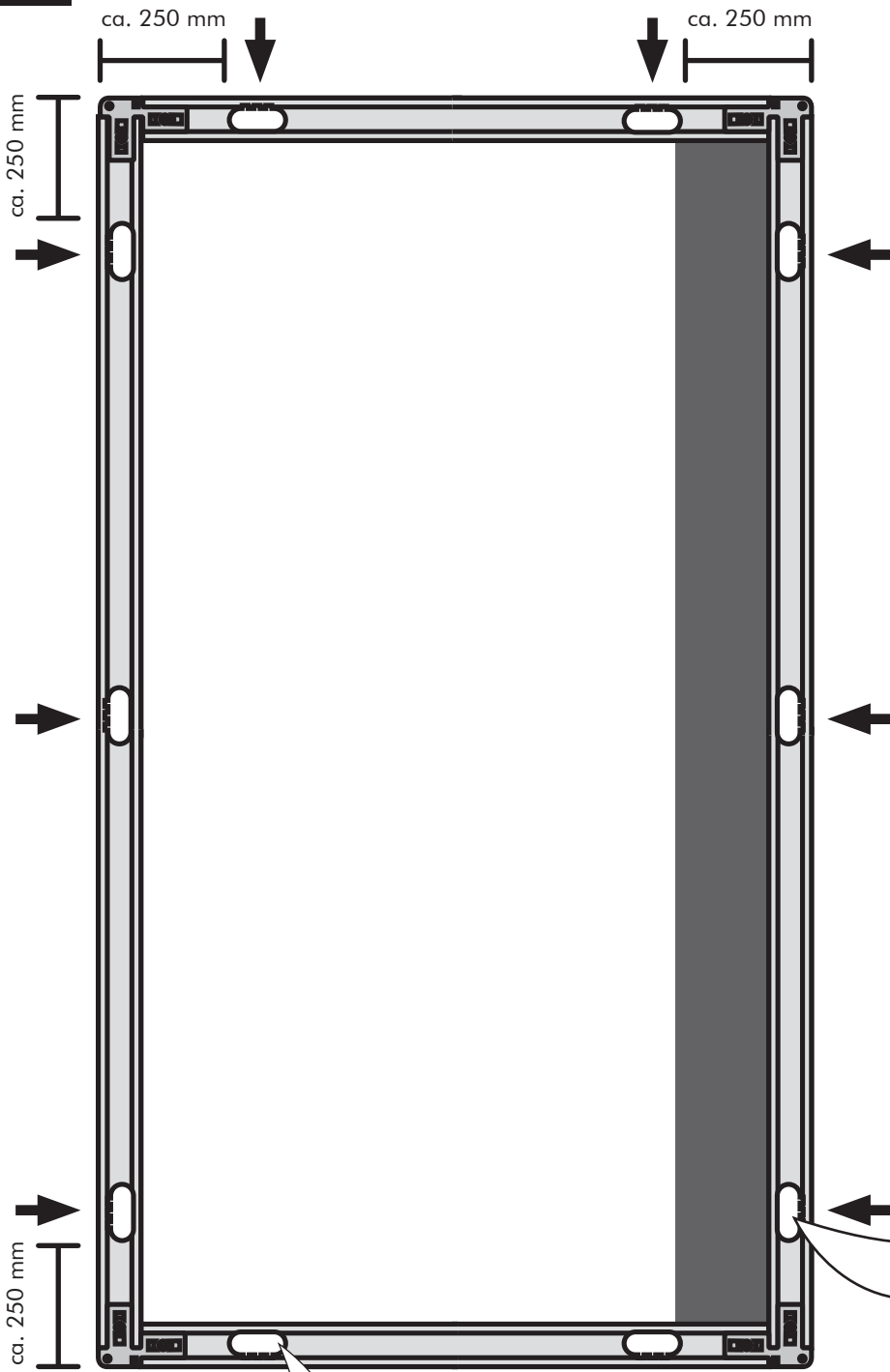
17.



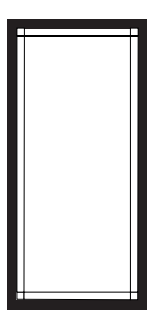
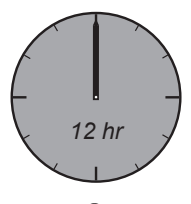
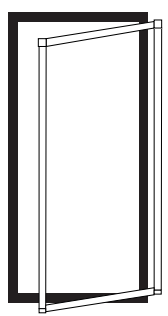
18.



19.

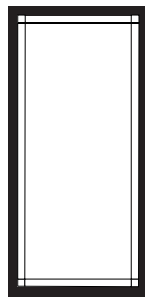
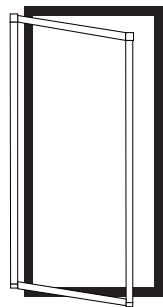


OPT A

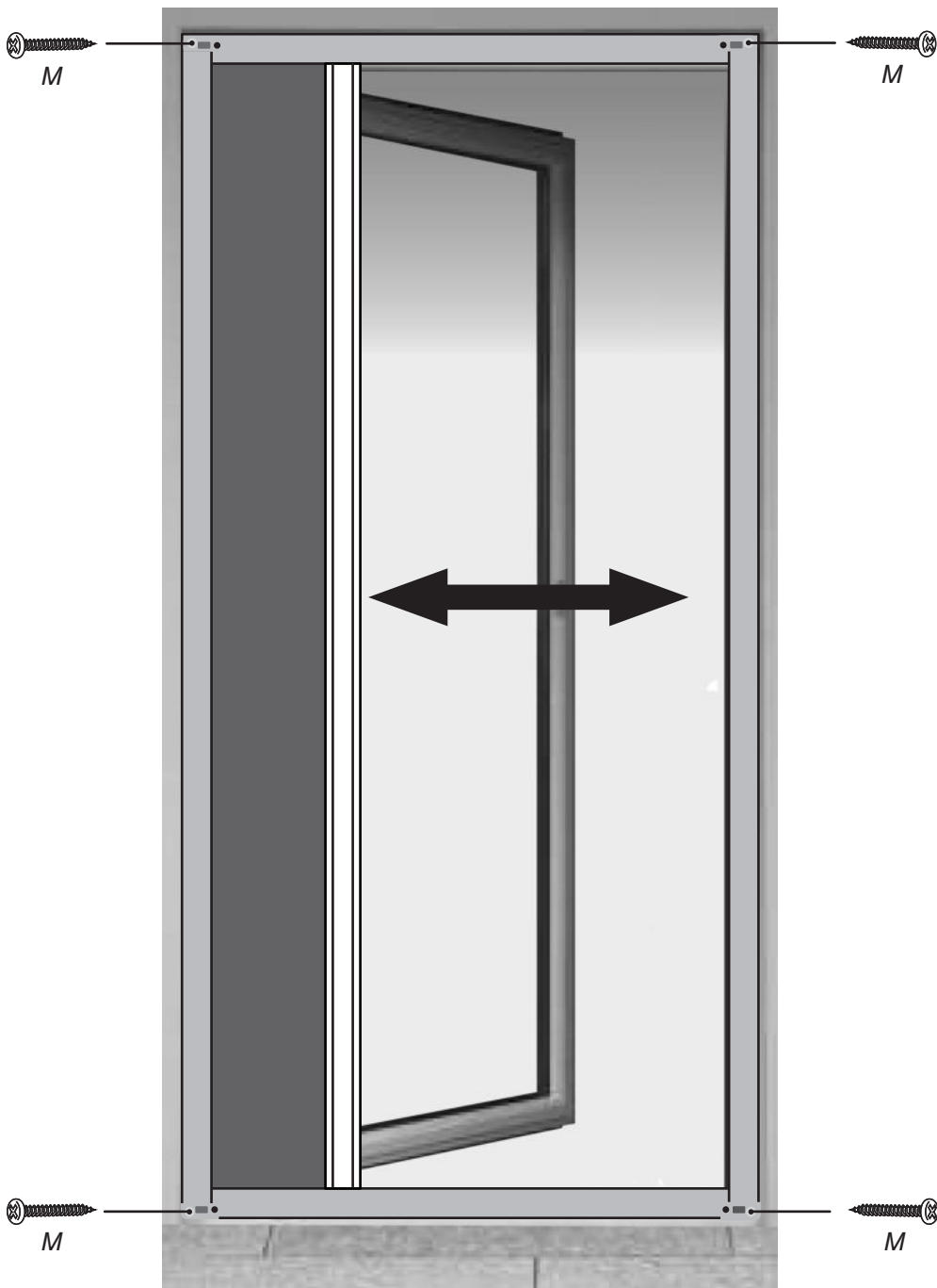




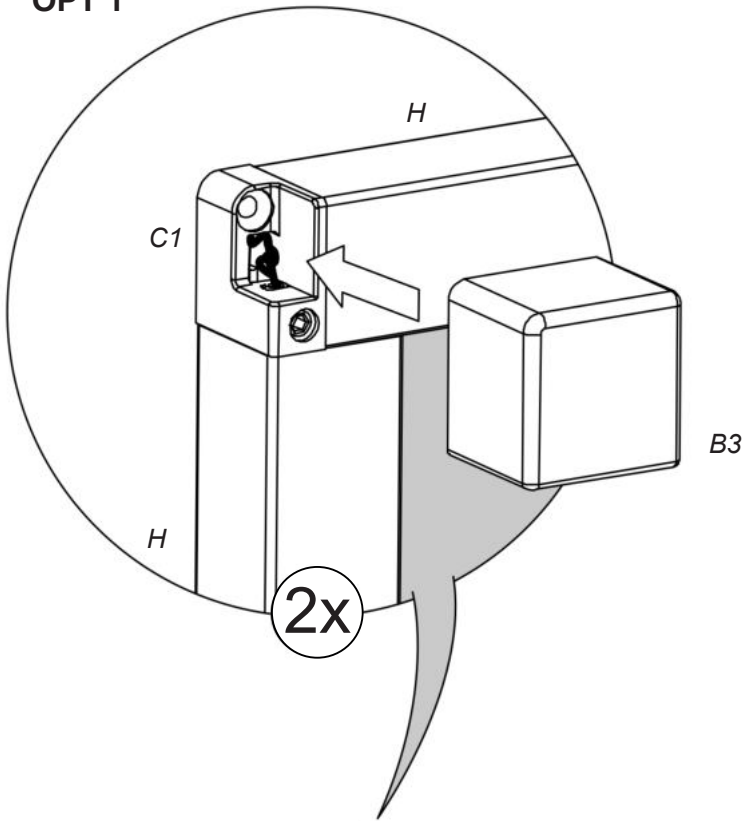
OPT B



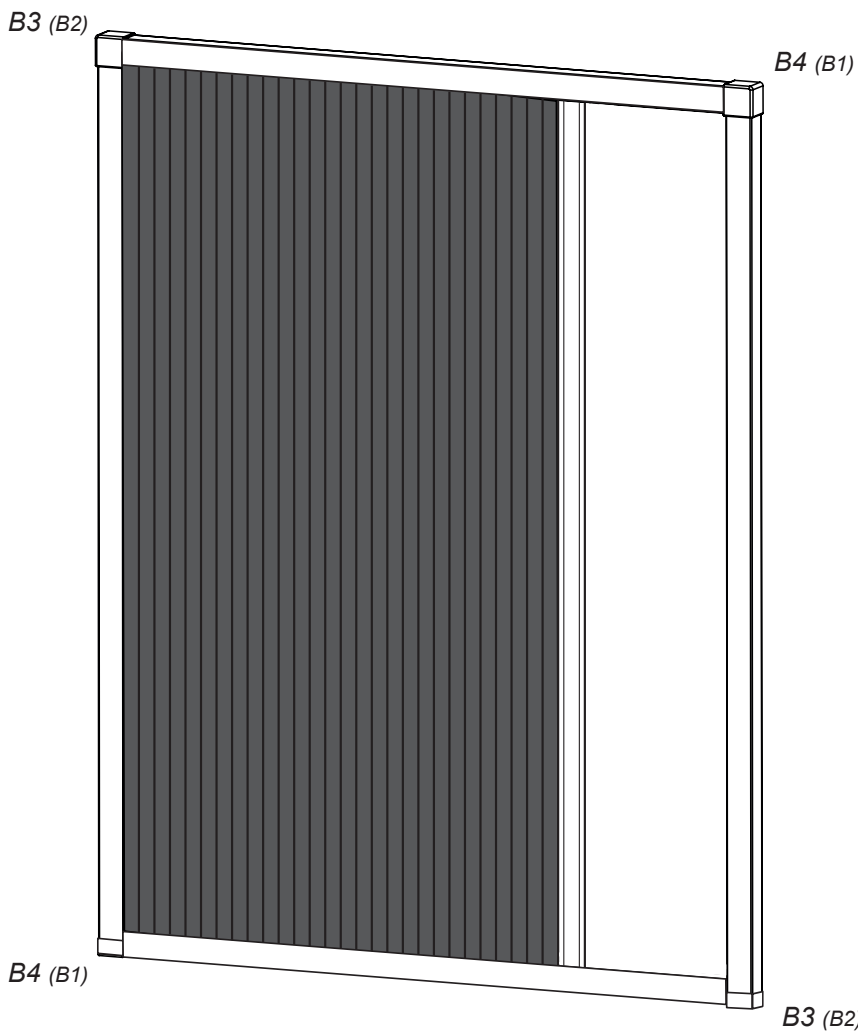
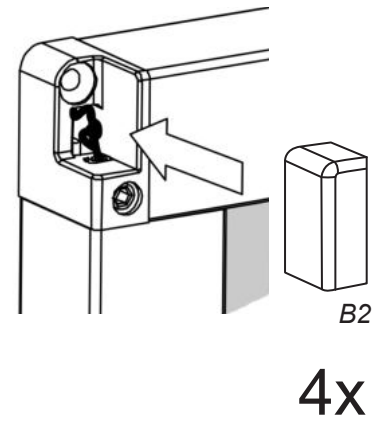
OPTIONAL 2



OPT 1



OPT 2





**Alfred Schellenberg GmbH**  
An den Weiden 31  
D-57078 Siegen  
[service.int@schellenberg.de](mailto:service.int@schellenberg.de)  
[www.schellenberg.de](http://www.schellenberg.de)