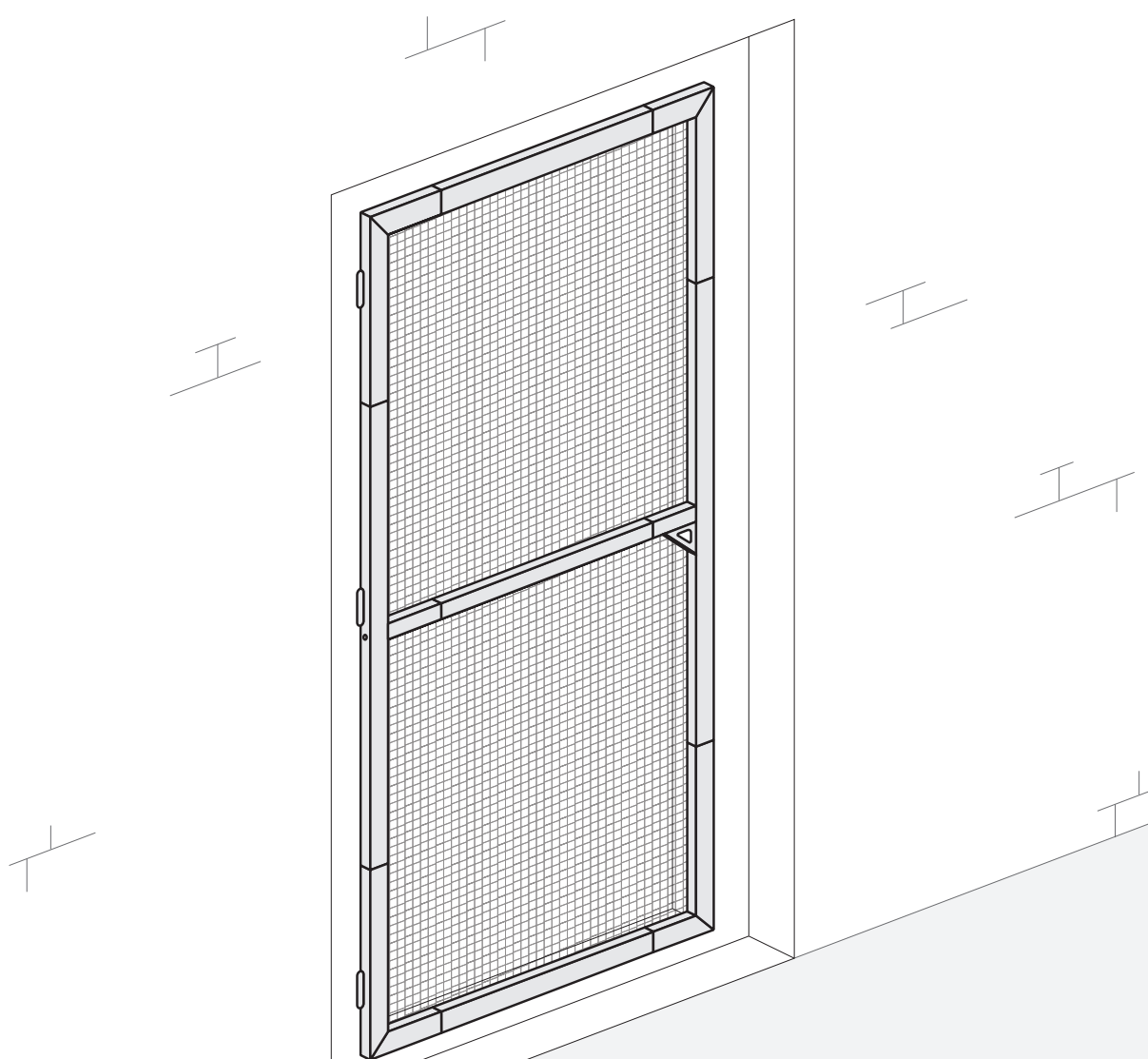
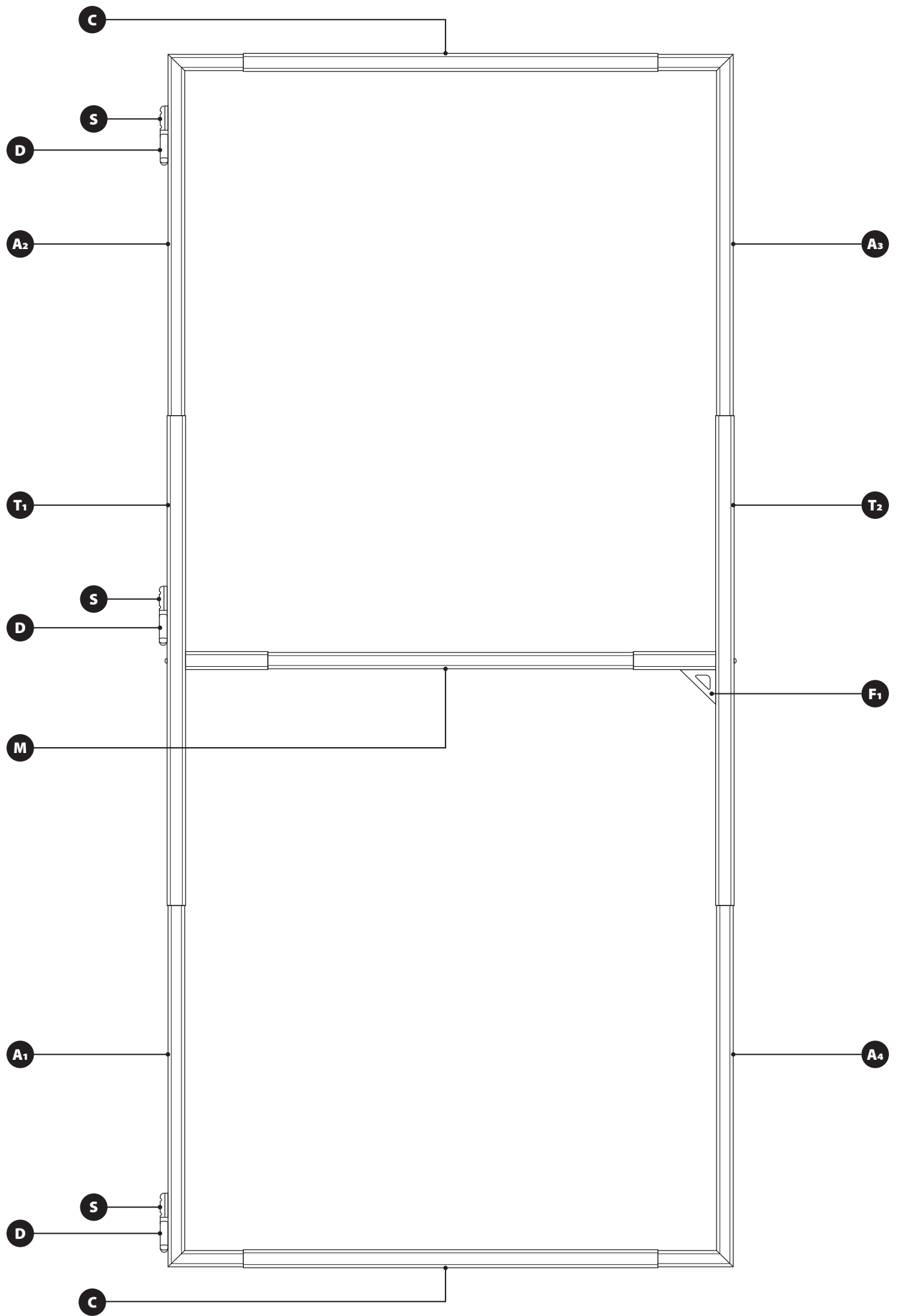


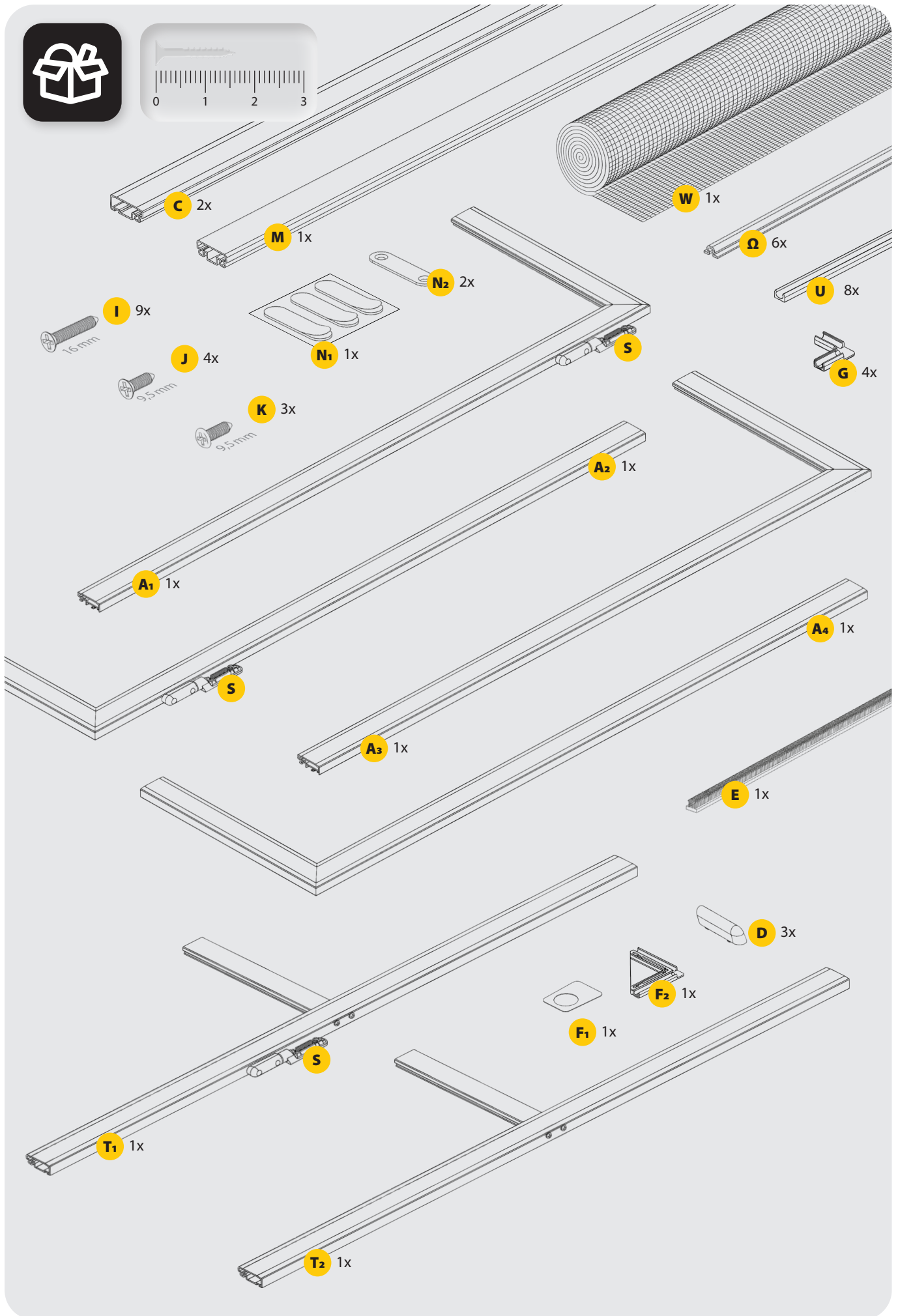
PROFLEX TÜR

70086, 70087, 3.010.002, 3.010.003



120x250 cm

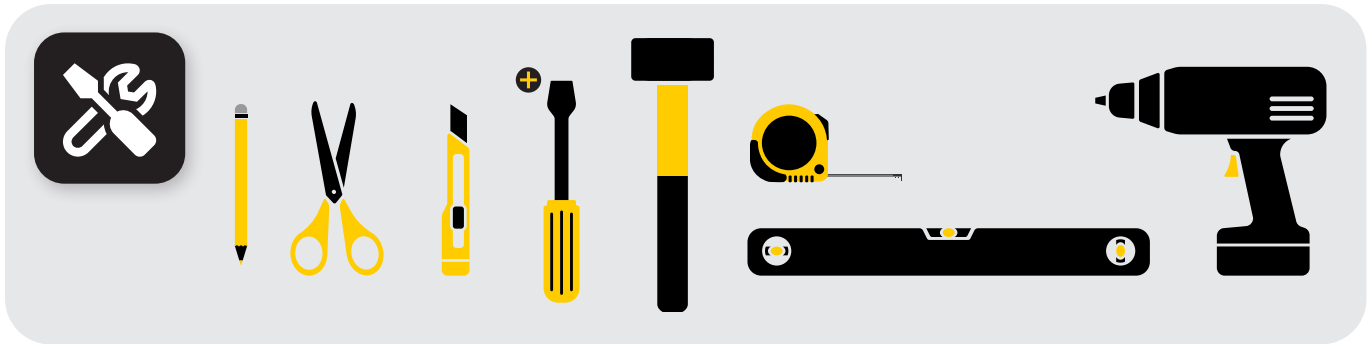




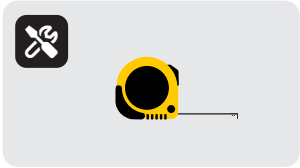


INSTALLATION VIDEO

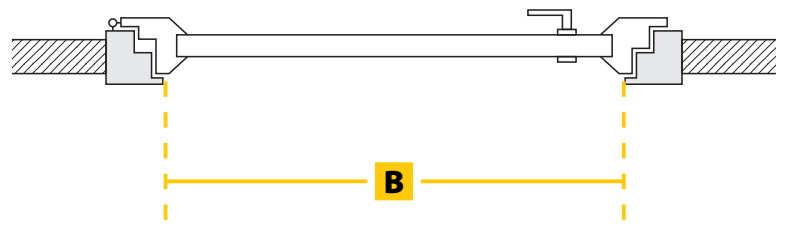
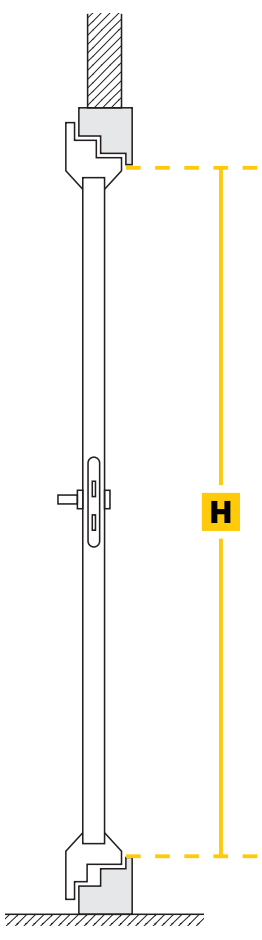
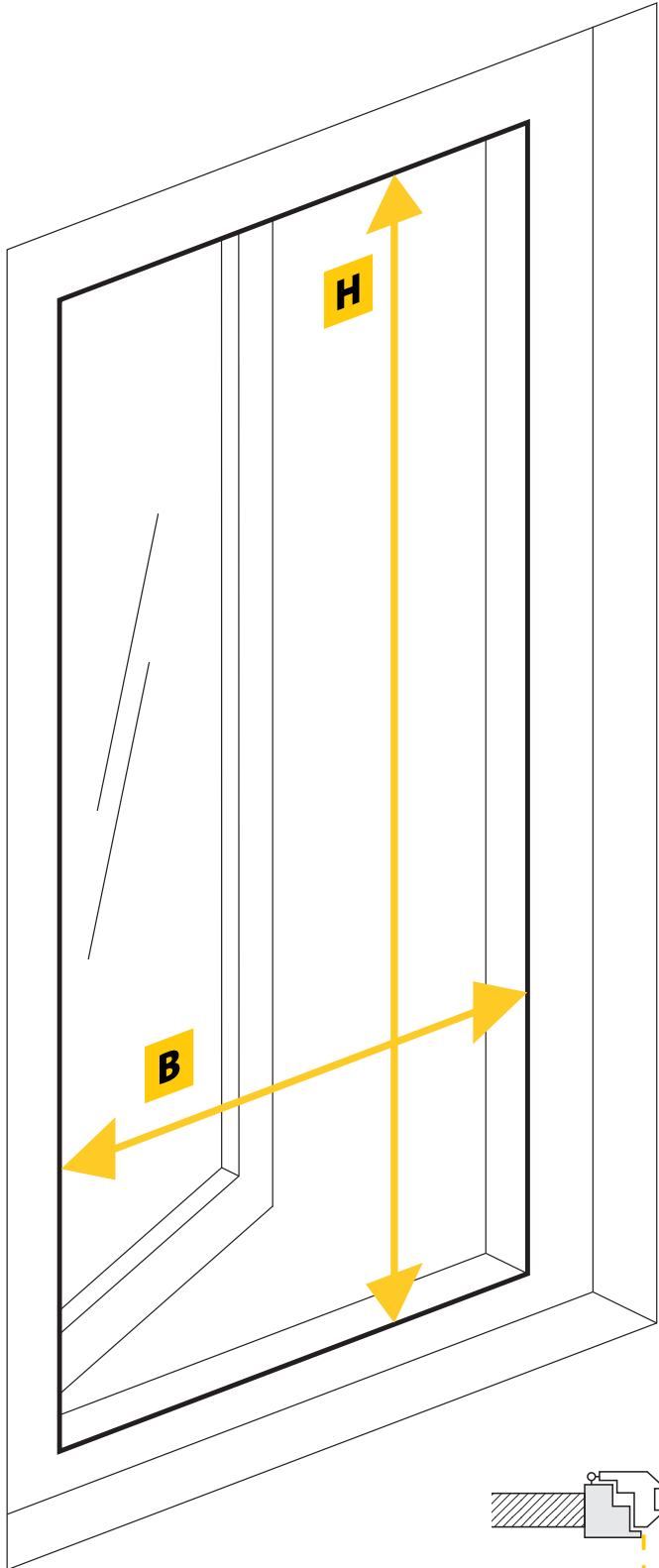
www.youtube.com/asmedien



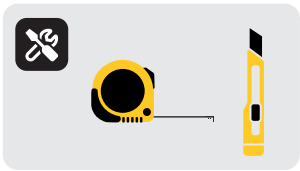
1



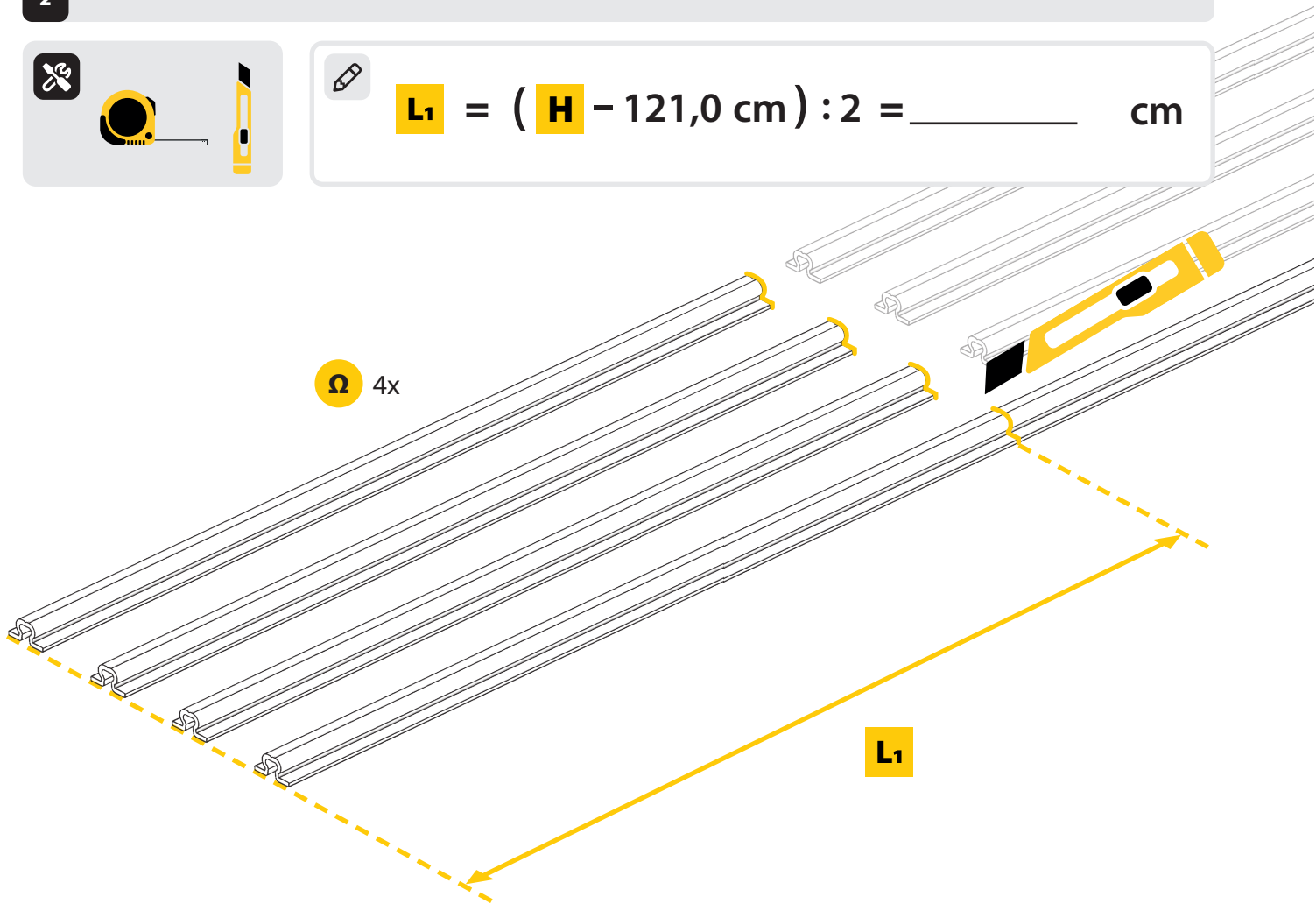
 **B** = _____ cm **H** = _____ cm



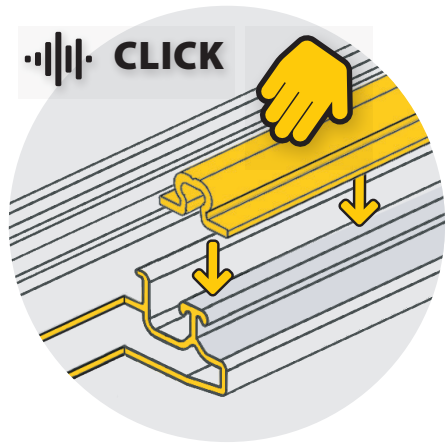
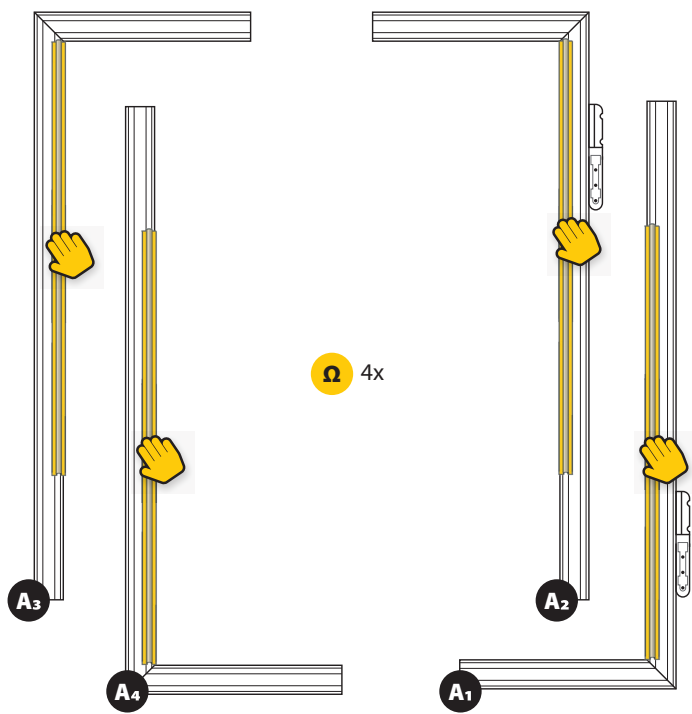
2



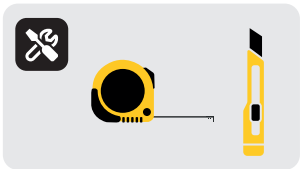
$L_1 = (H - 121,0 \text{ cm}) : 2 = \underline{\hspace{2cm}} \text{ cm}$



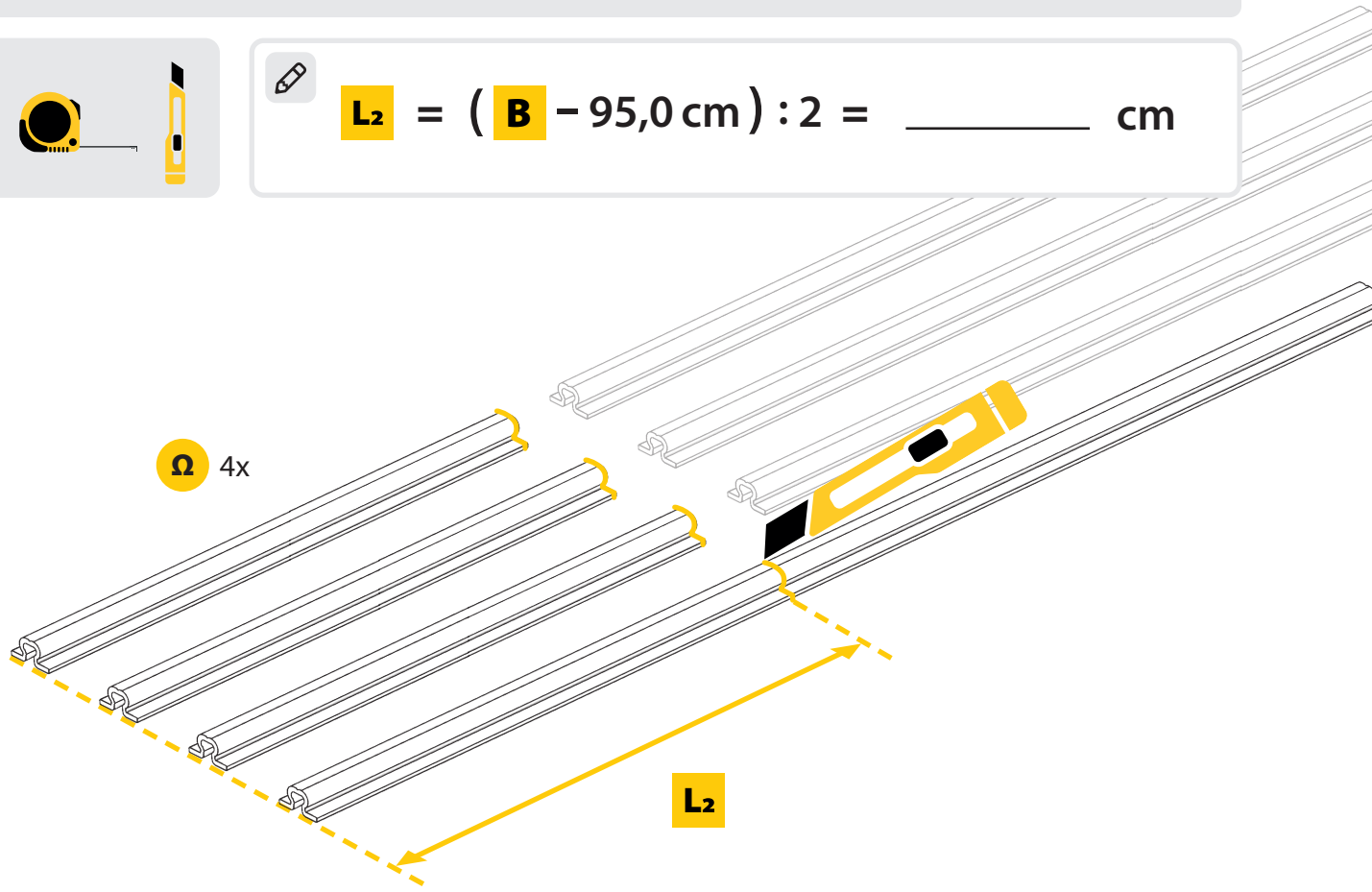
3



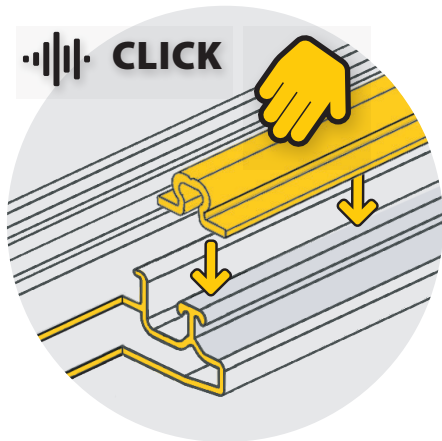
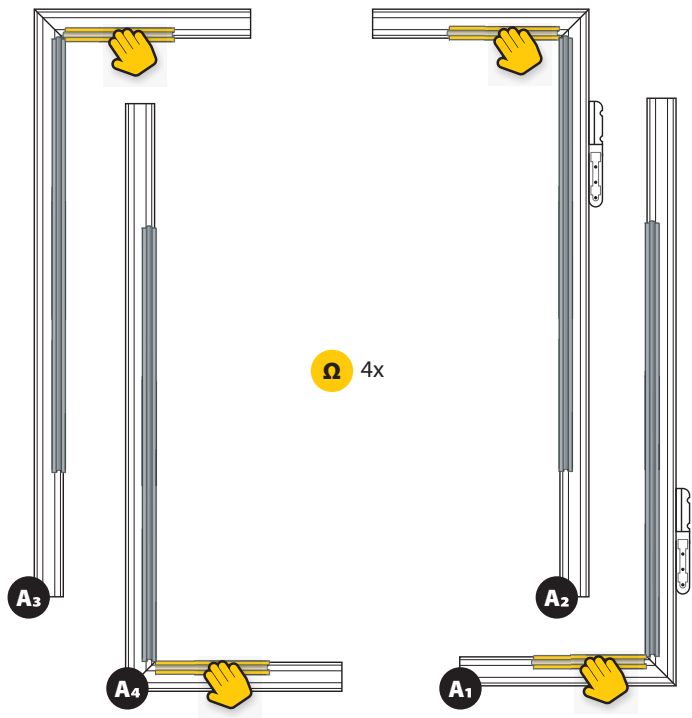
4



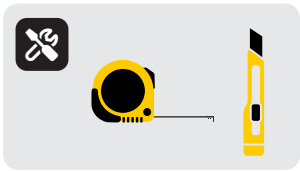
$L_2 = (B - 95,0 \text{ cm}) : 2 = \text{_____ cm}$





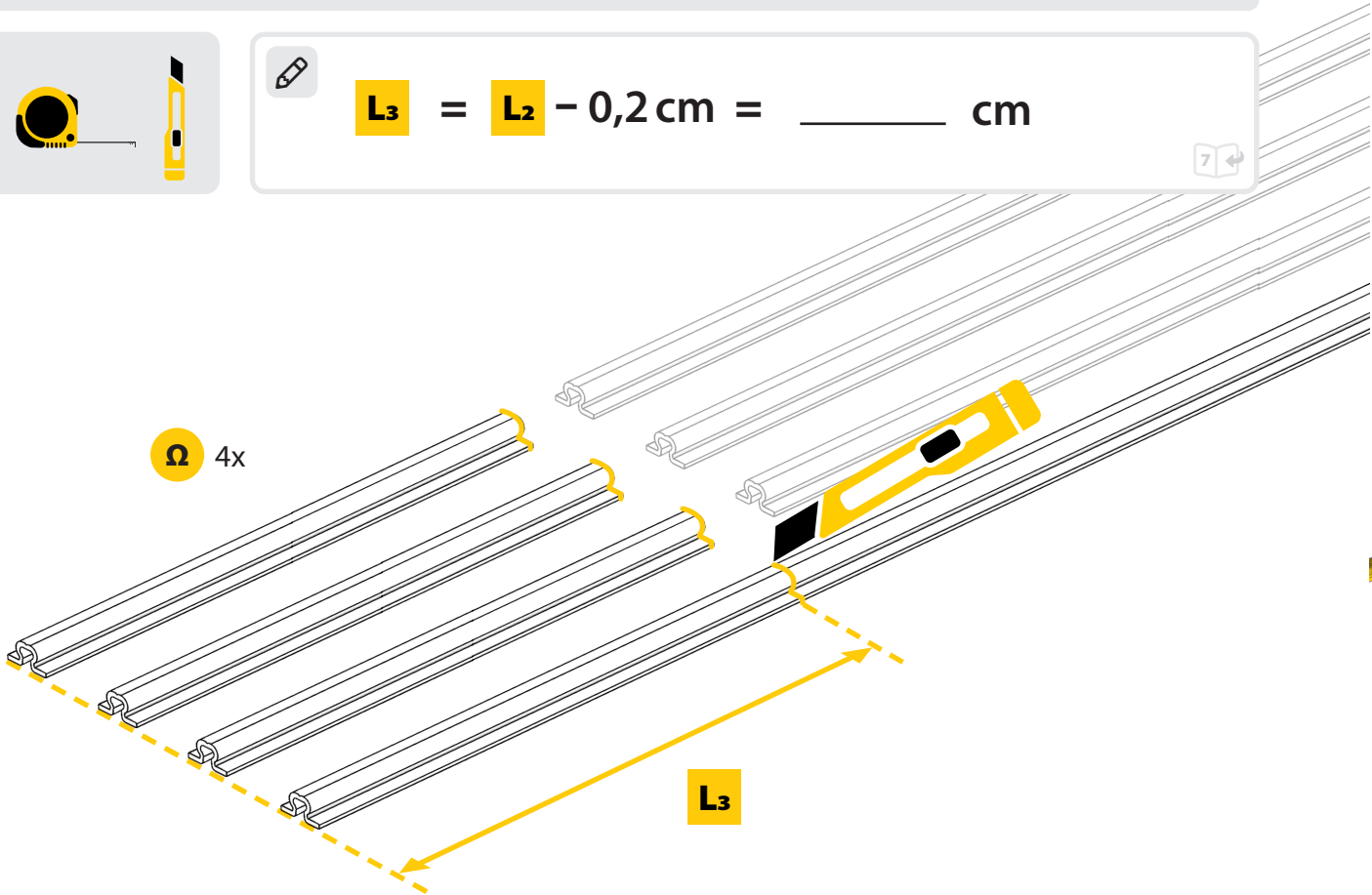
5



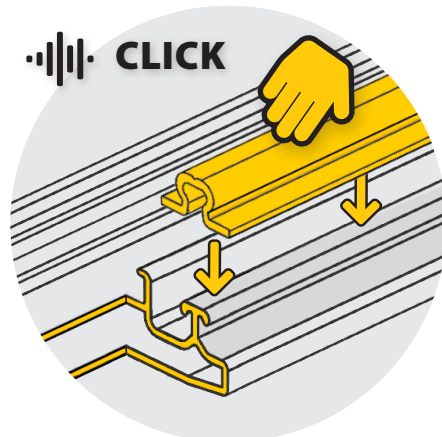
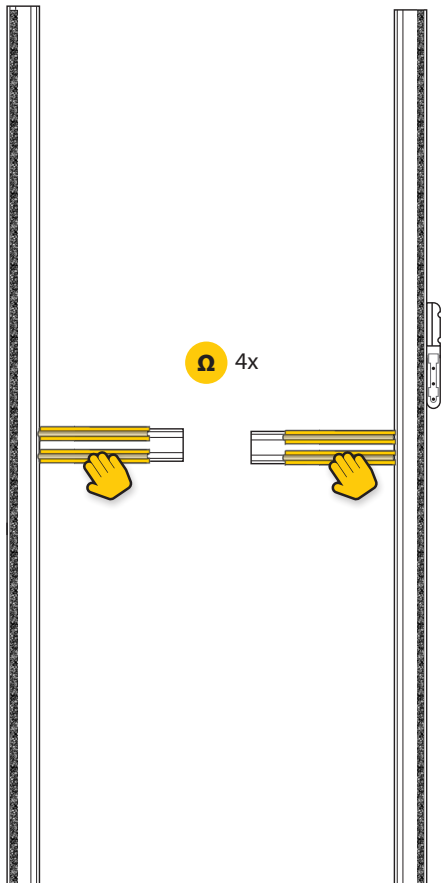
6

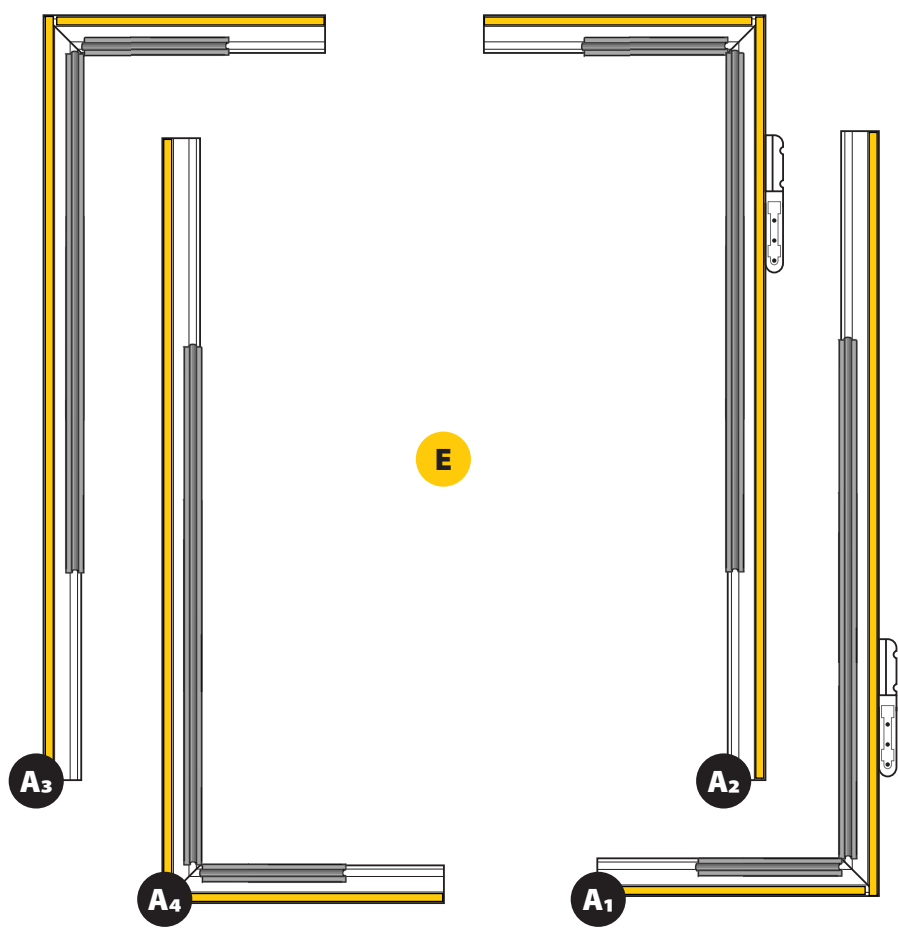
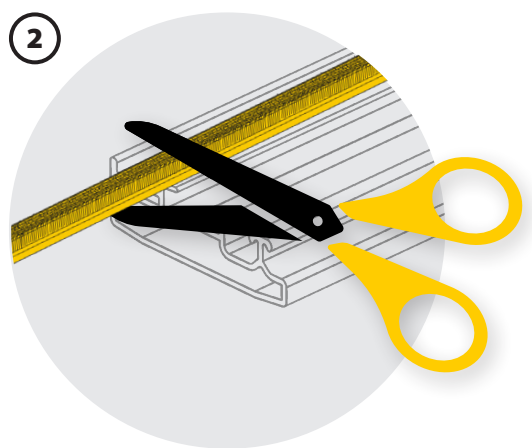
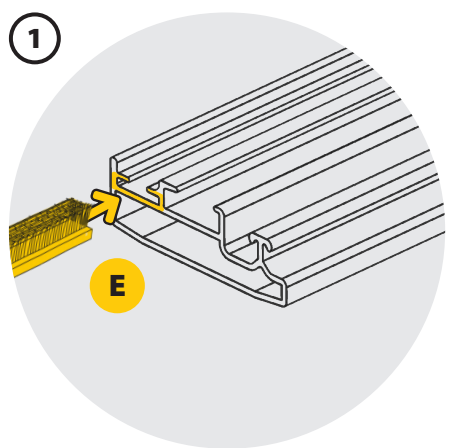
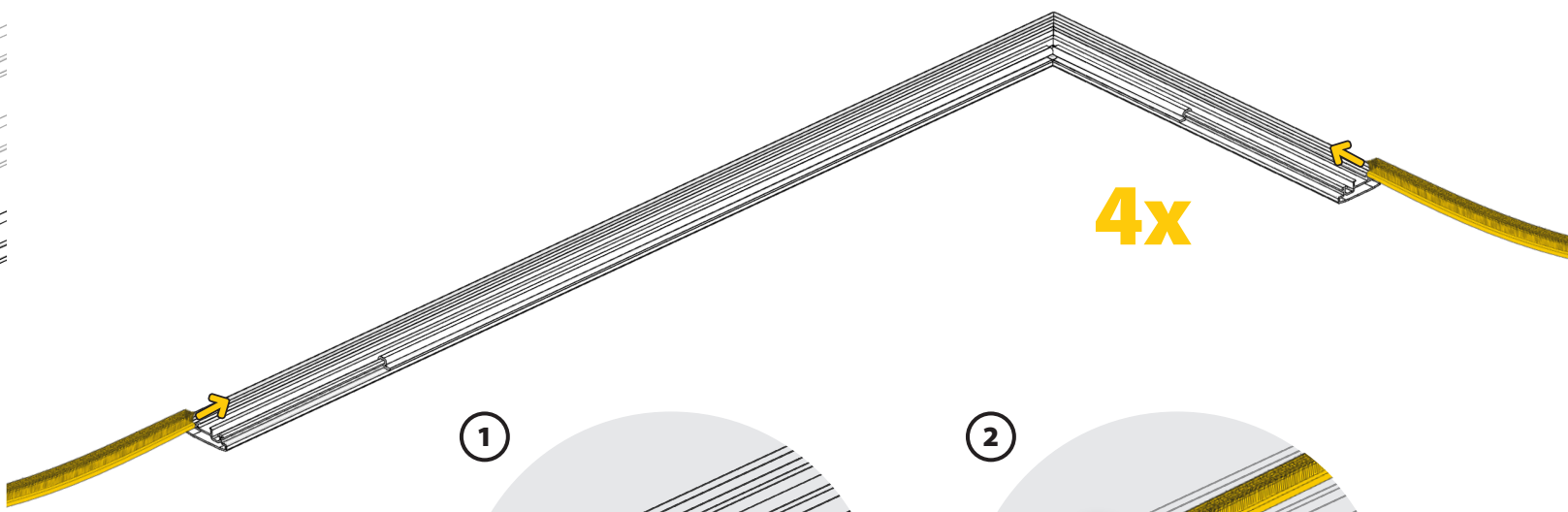


 $L_3 = L_2 - 0,2 \text{ cm} = \text{_____ cm}$ 

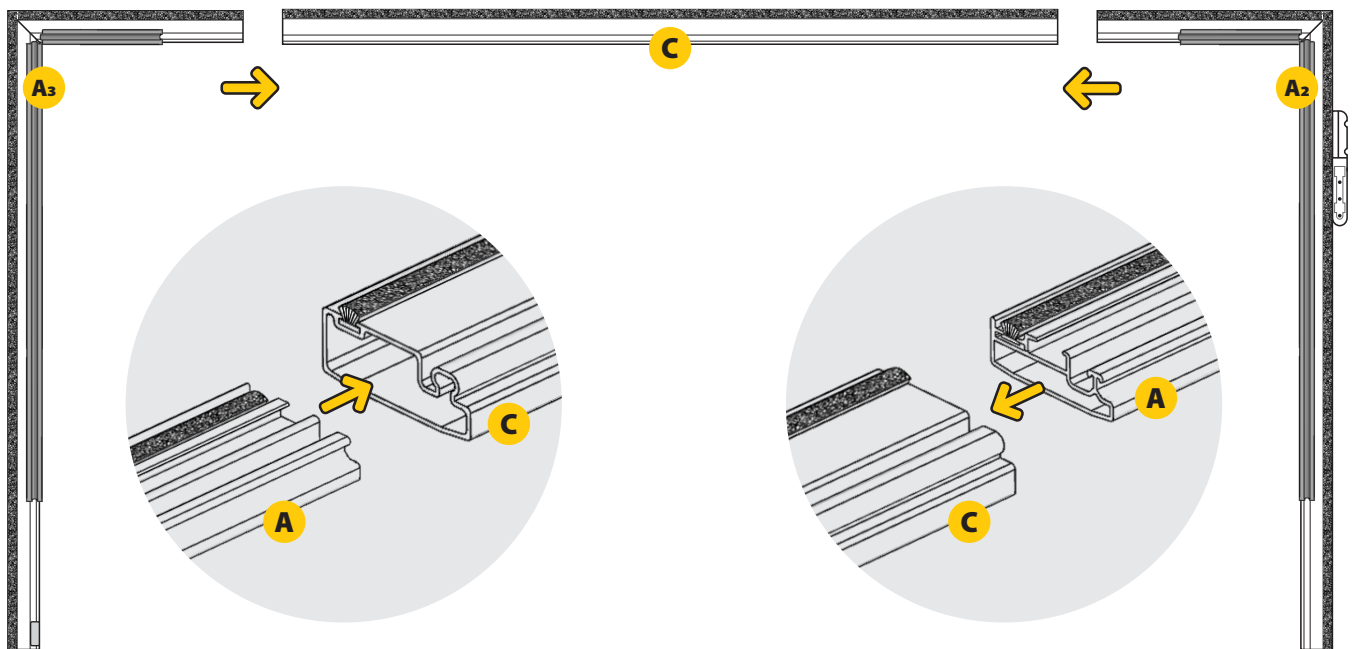


7

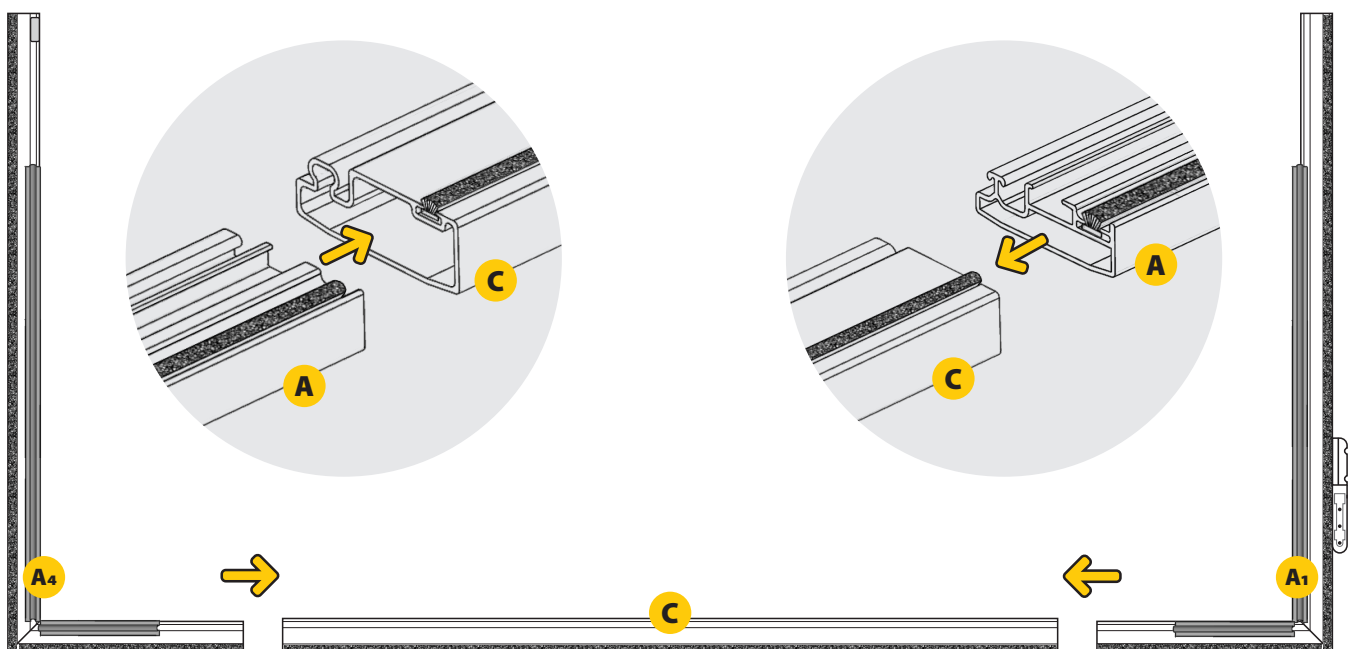


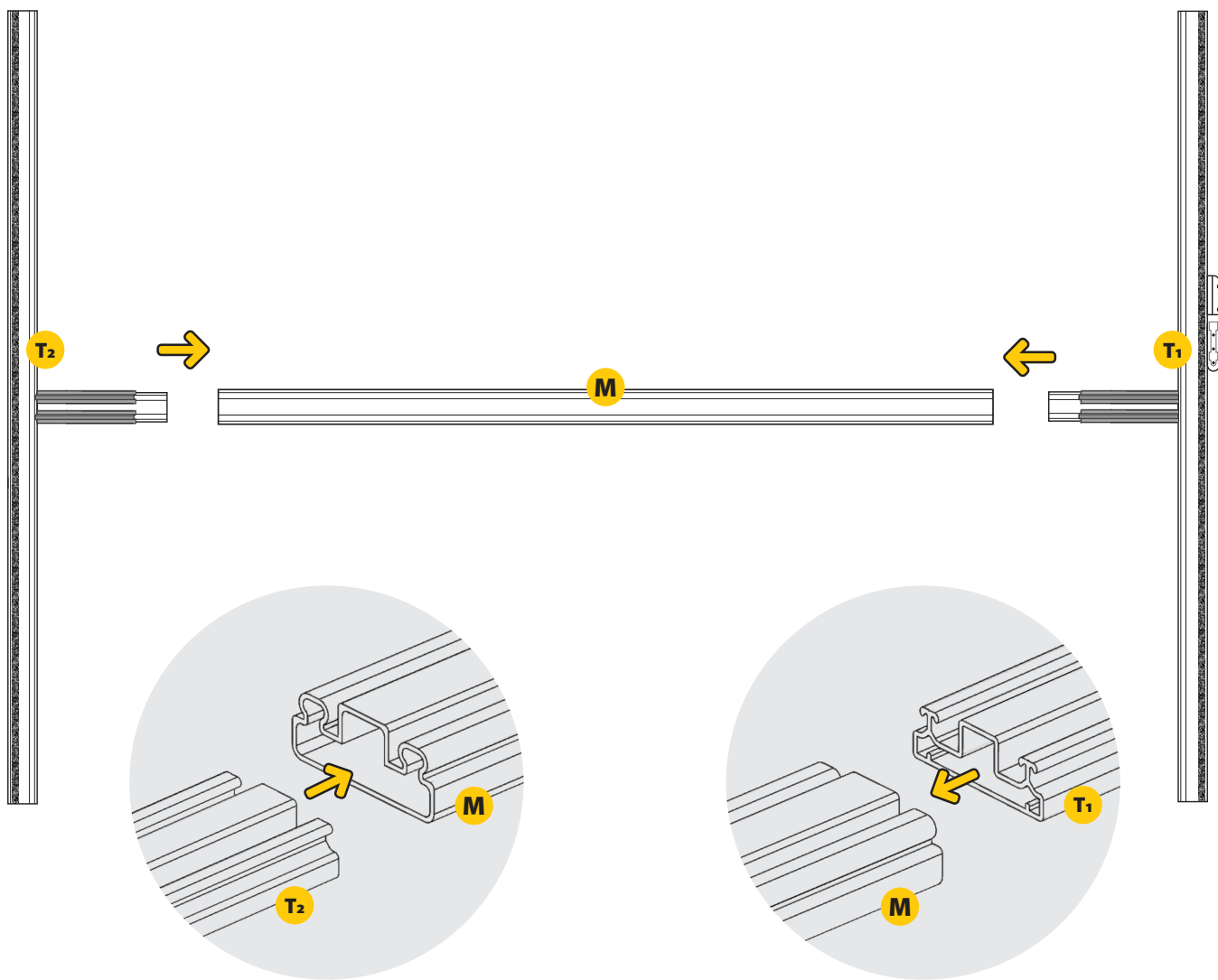


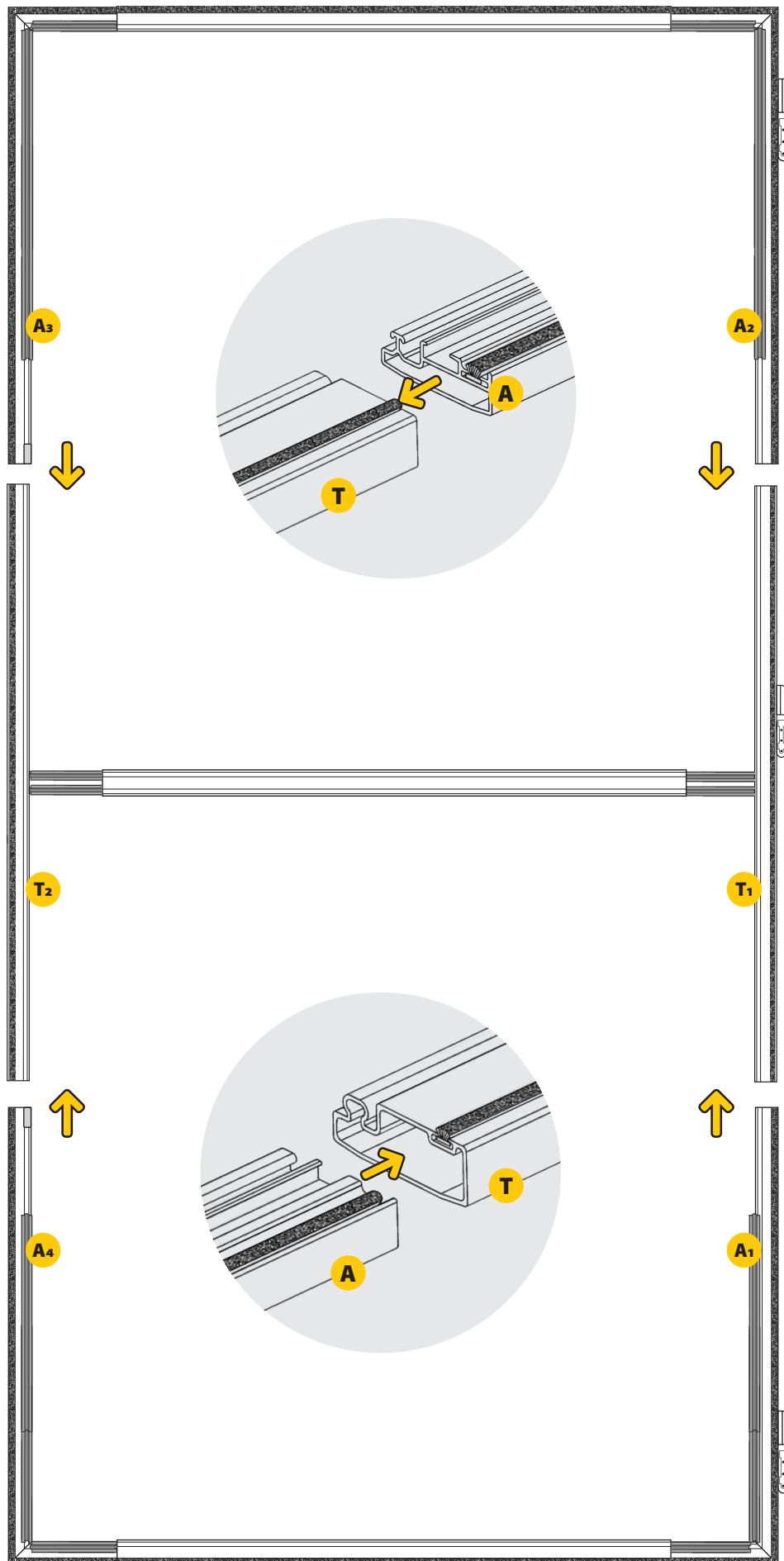
9



10

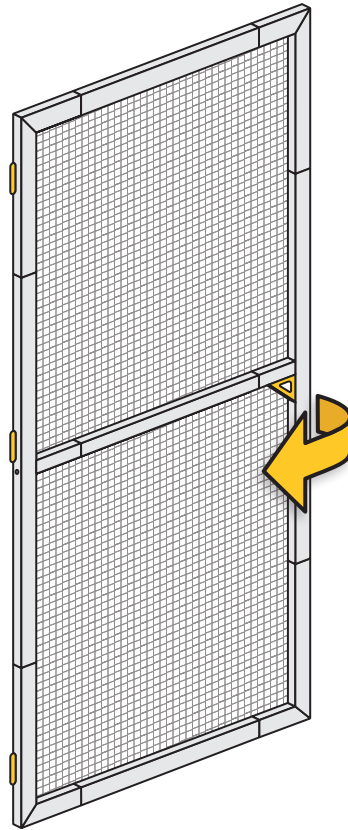




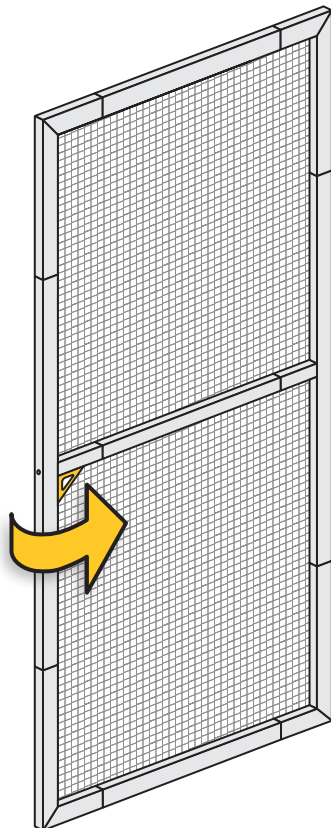


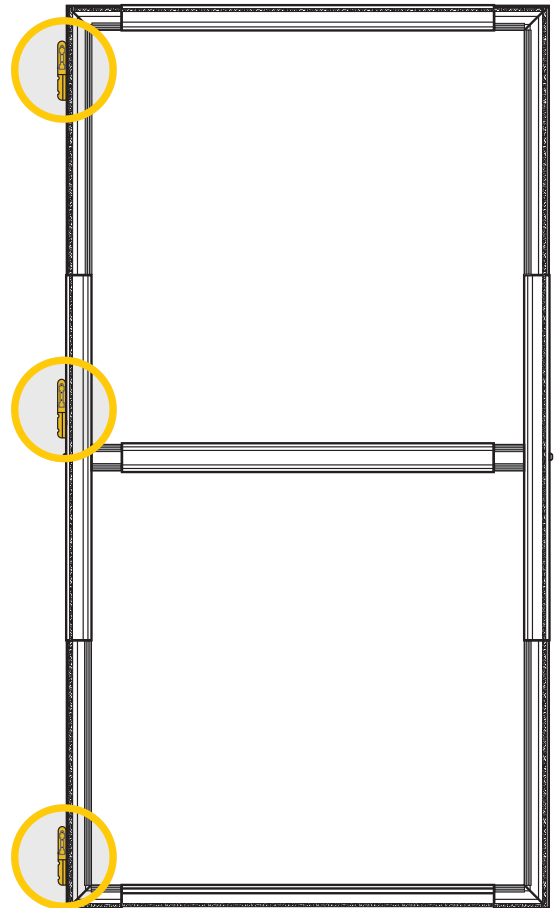
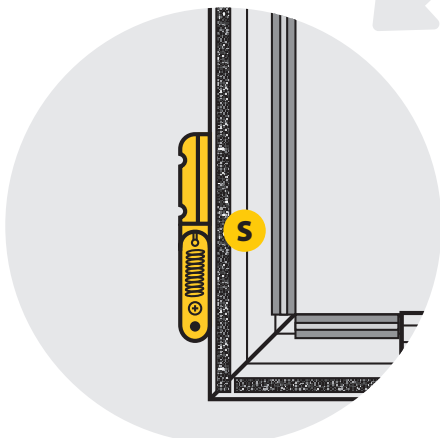
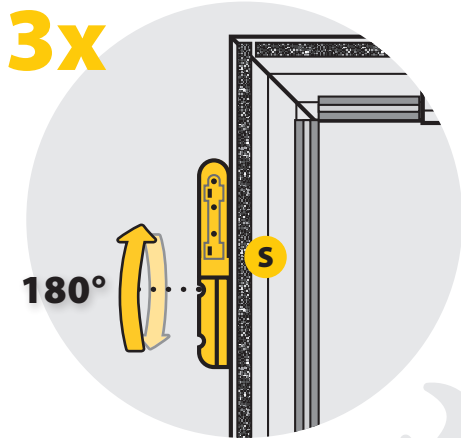
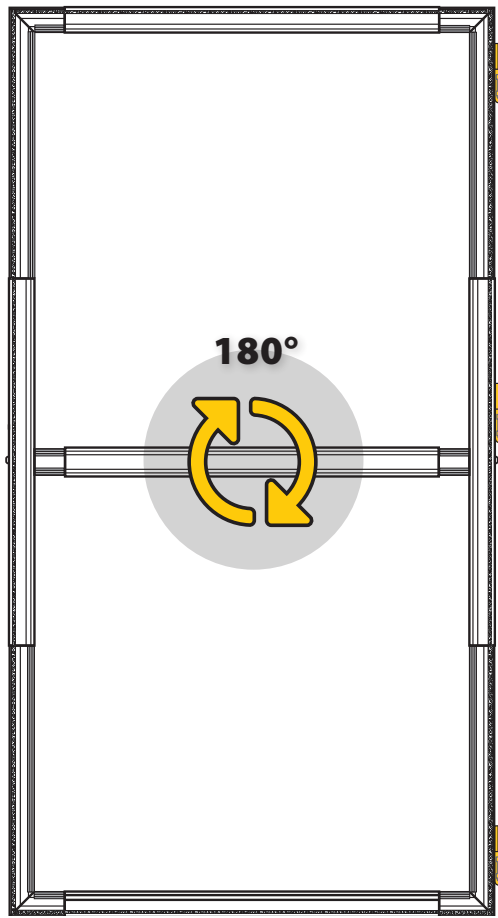


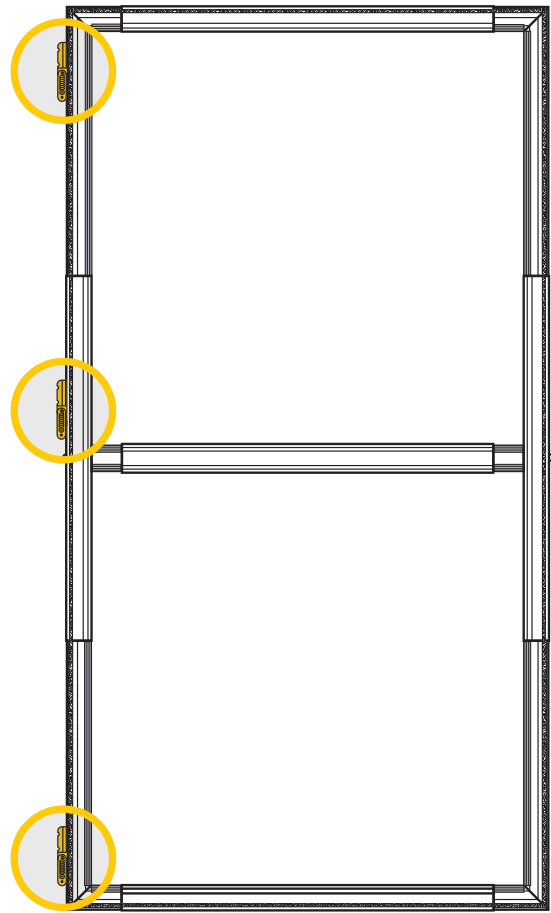
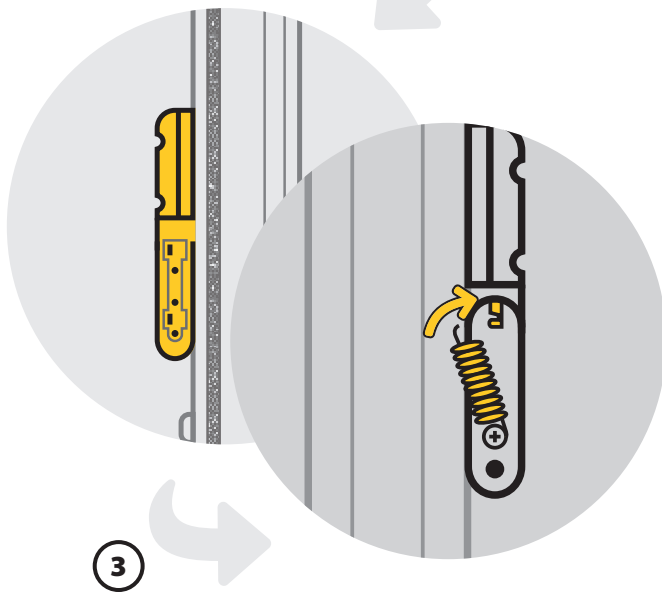
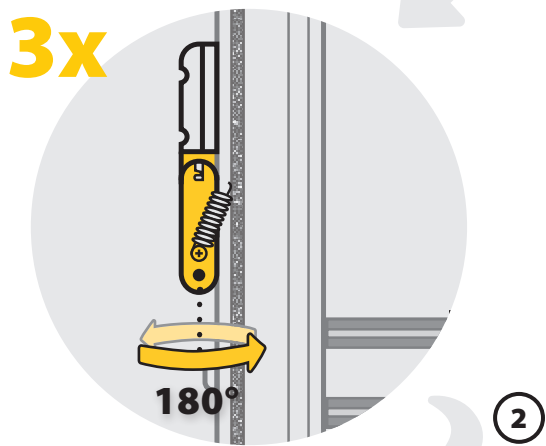
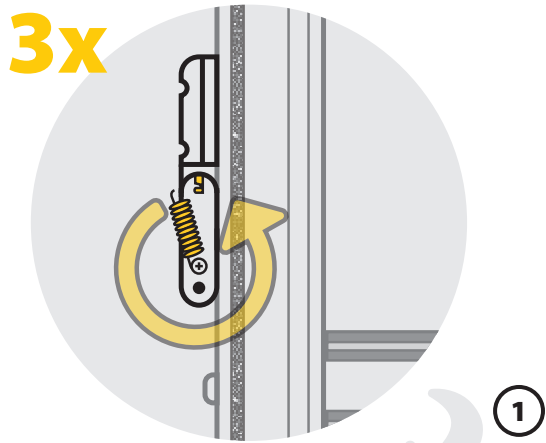
OPT 1

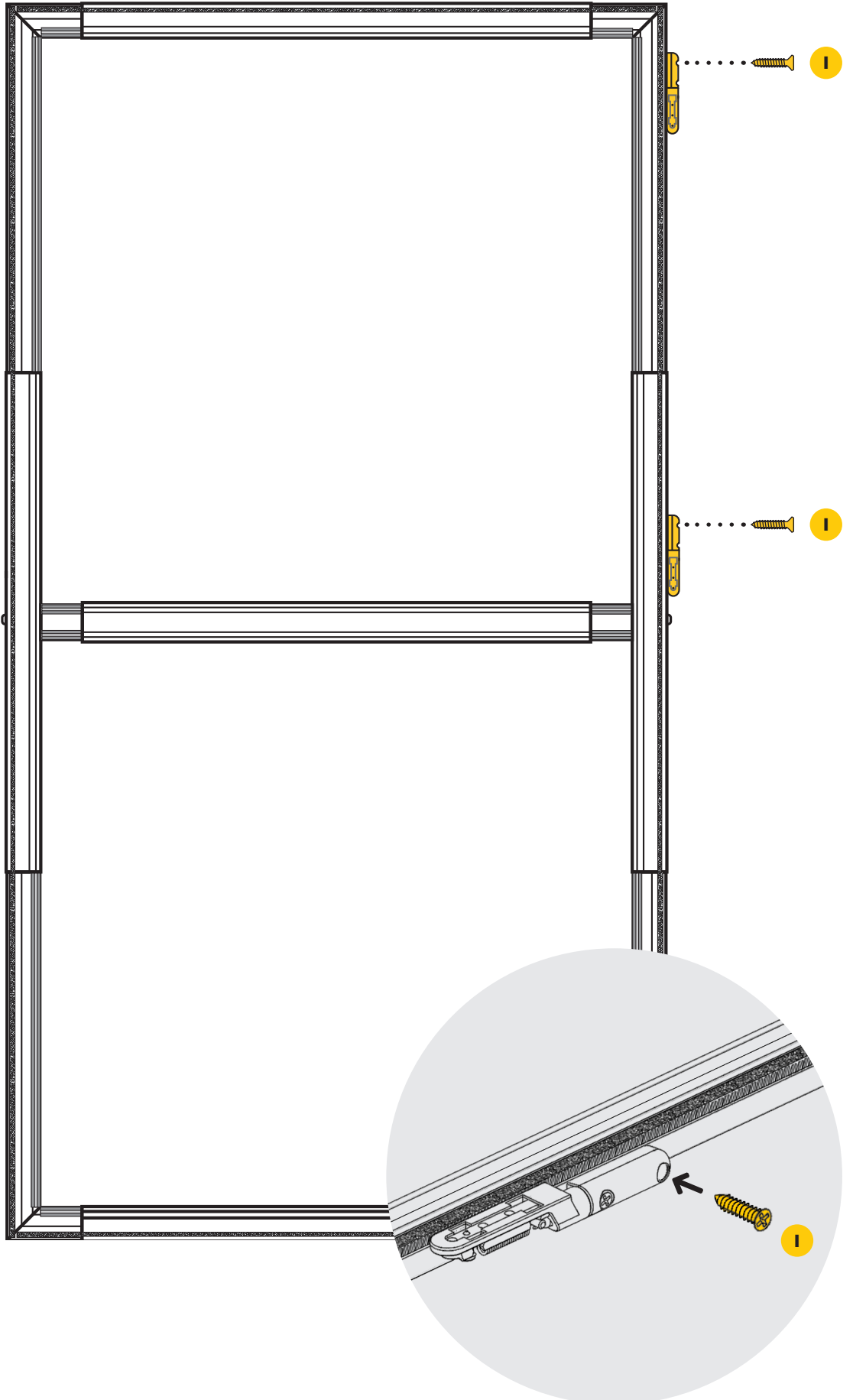


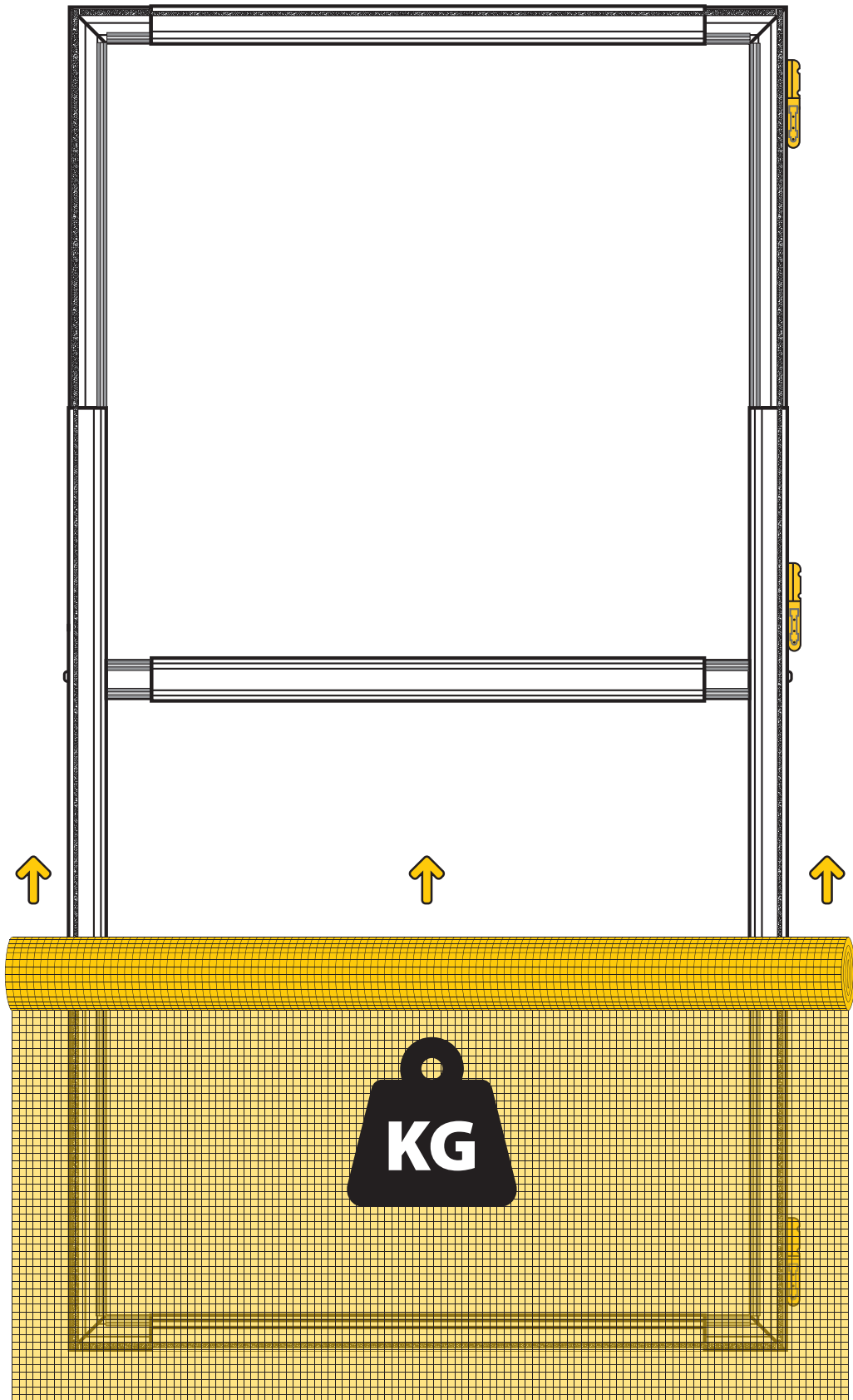
OPT 2



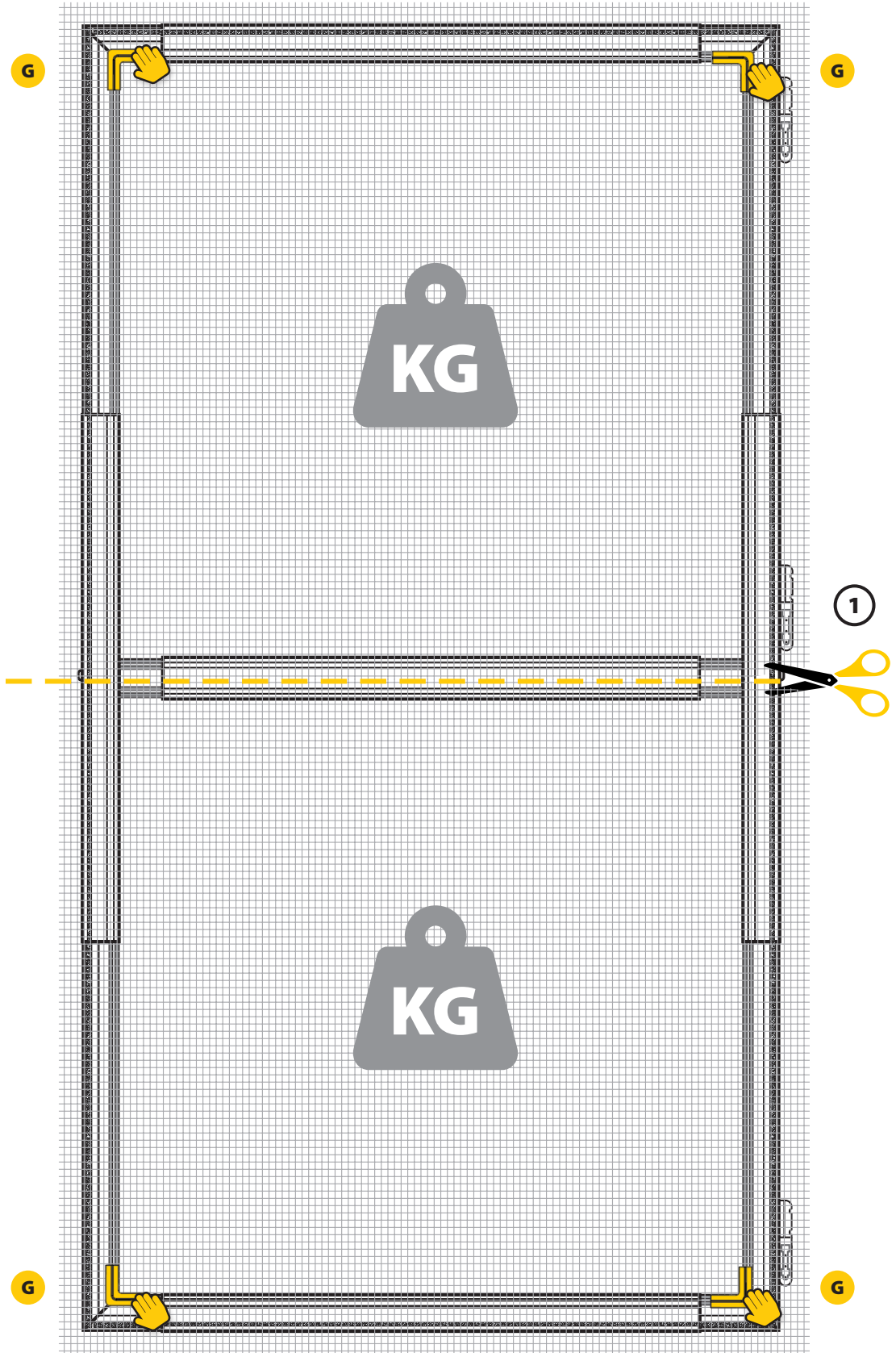


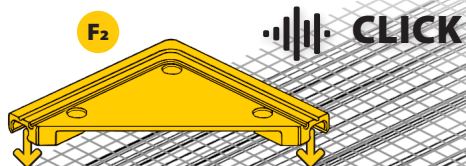
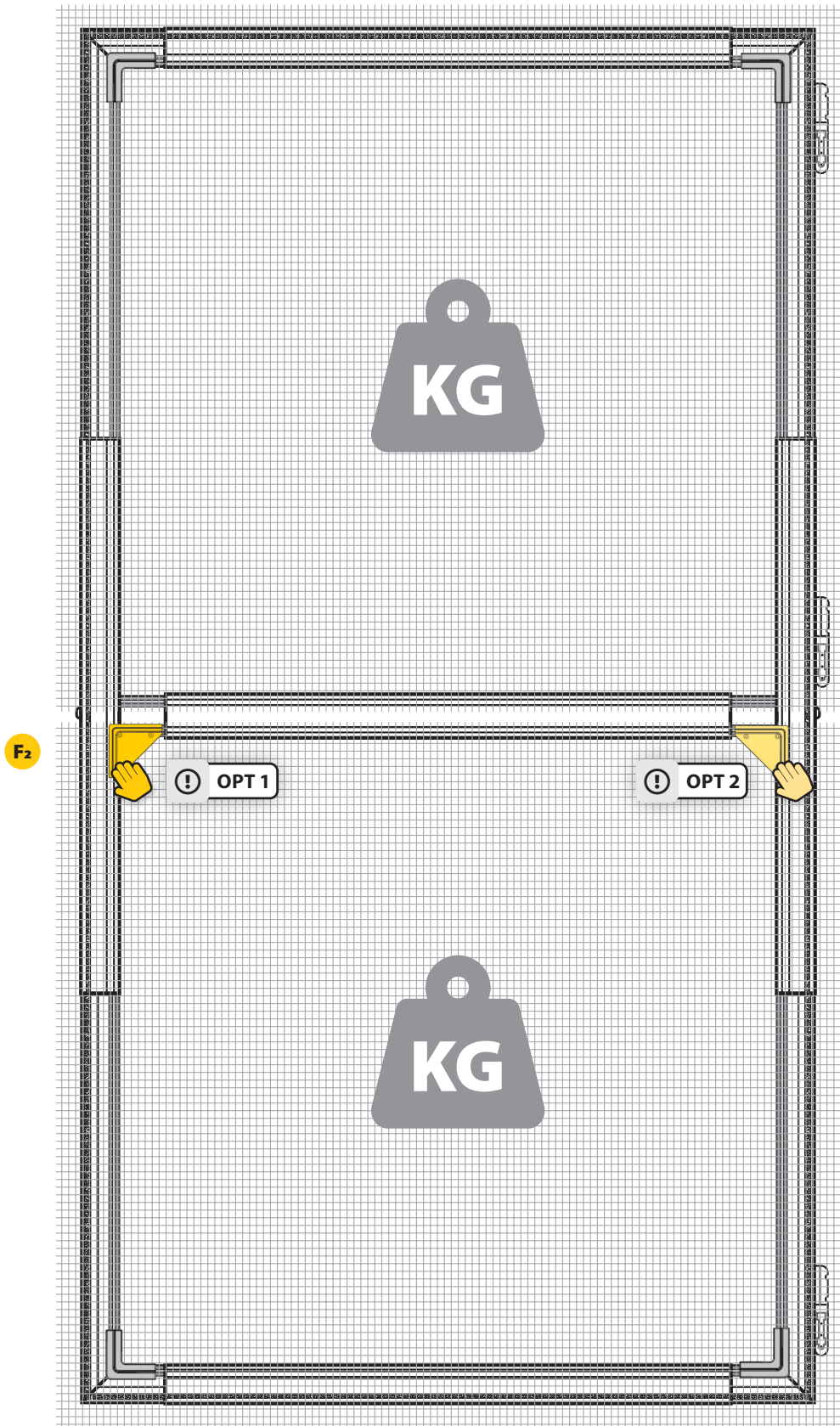


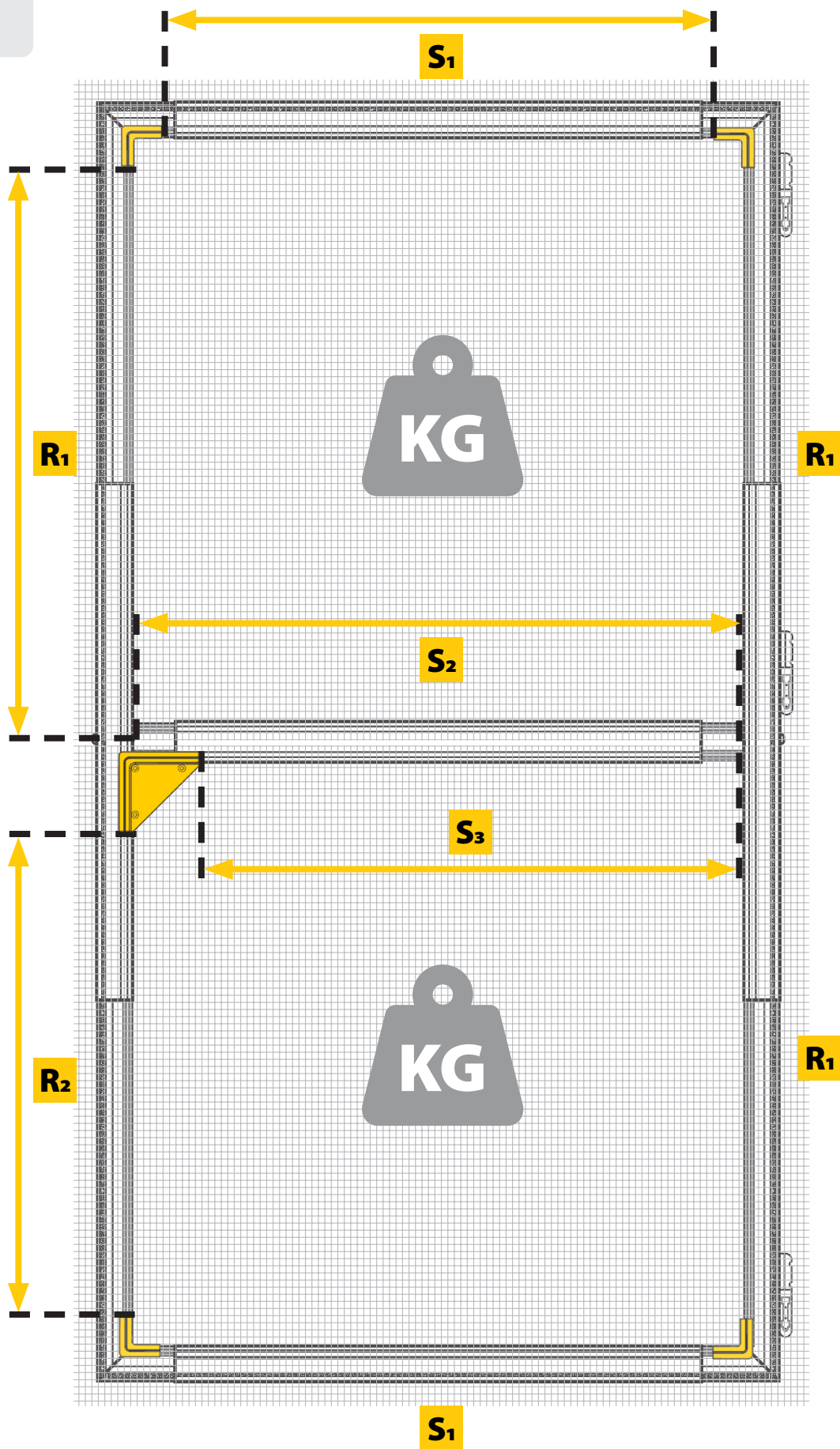
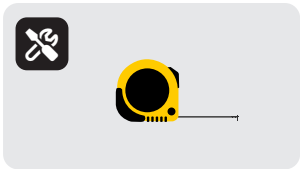




W









S₁ = _____ cm

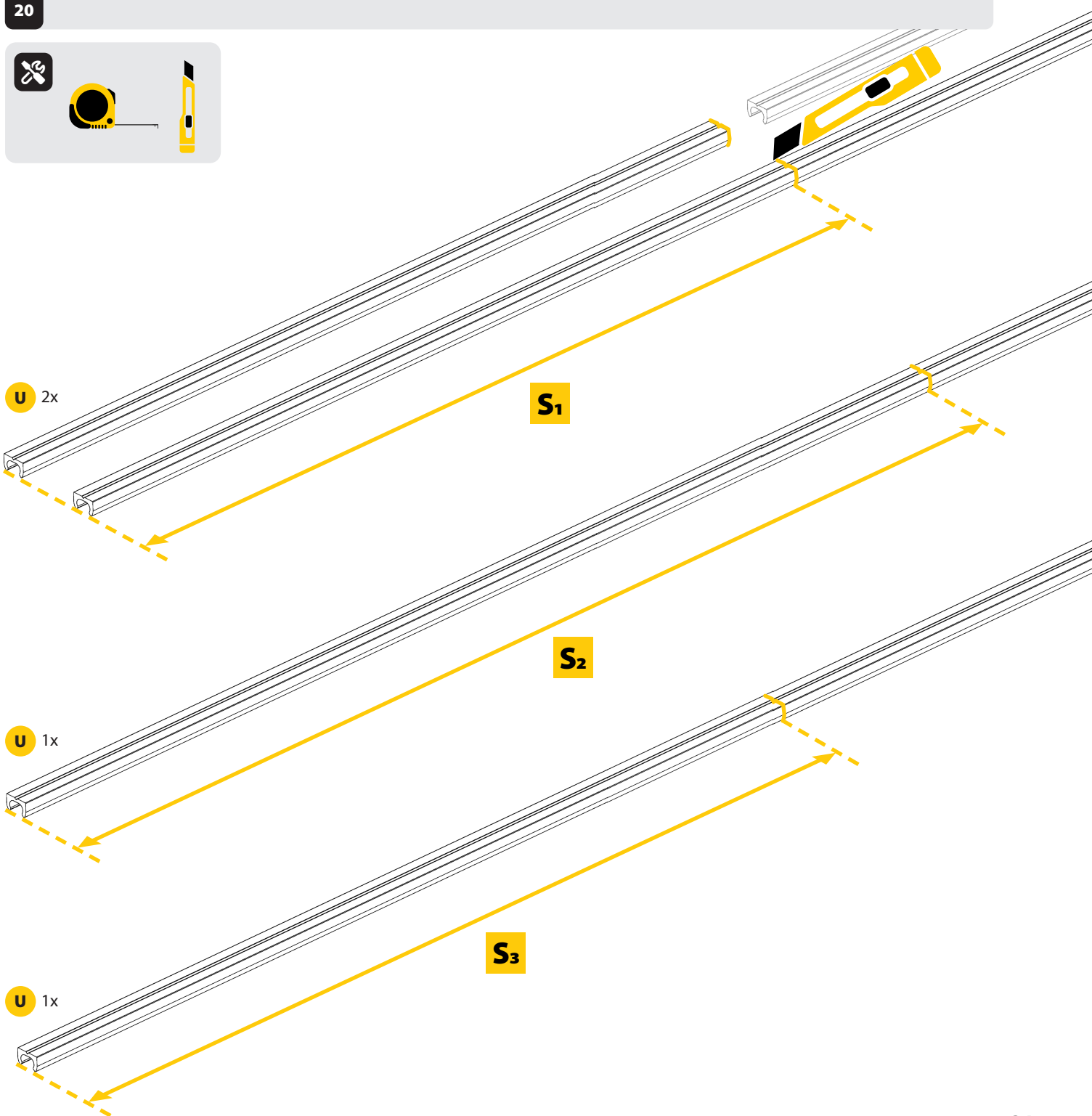
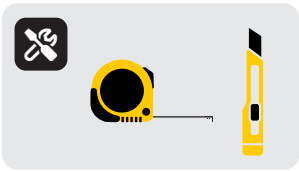
S₂ = _____ cm

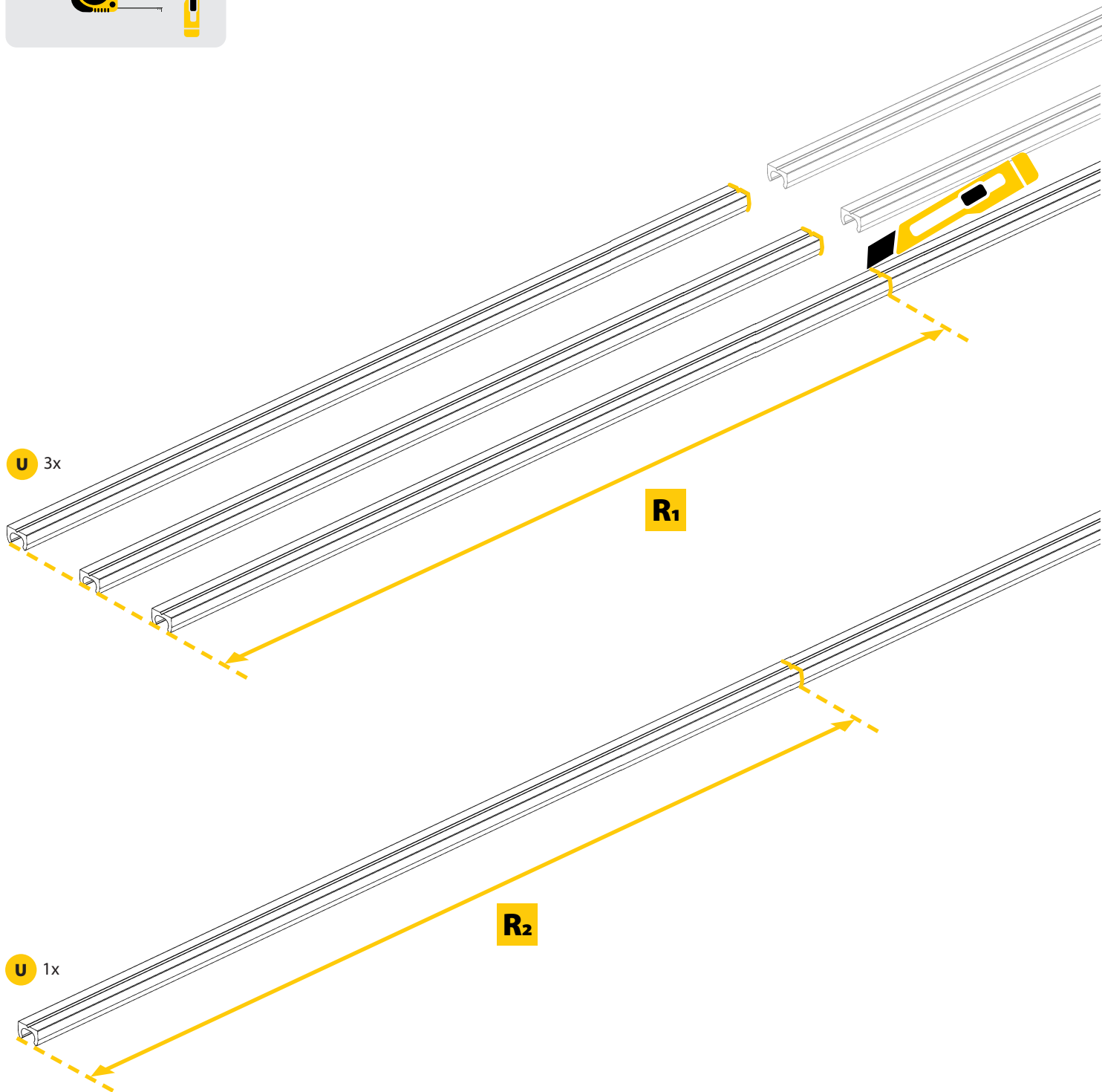
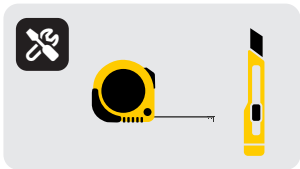
S₃ = _____ cm

R₁ = _____ cm

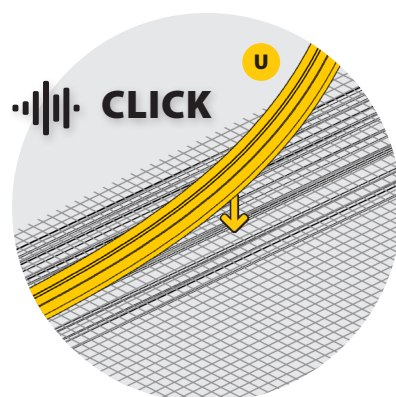
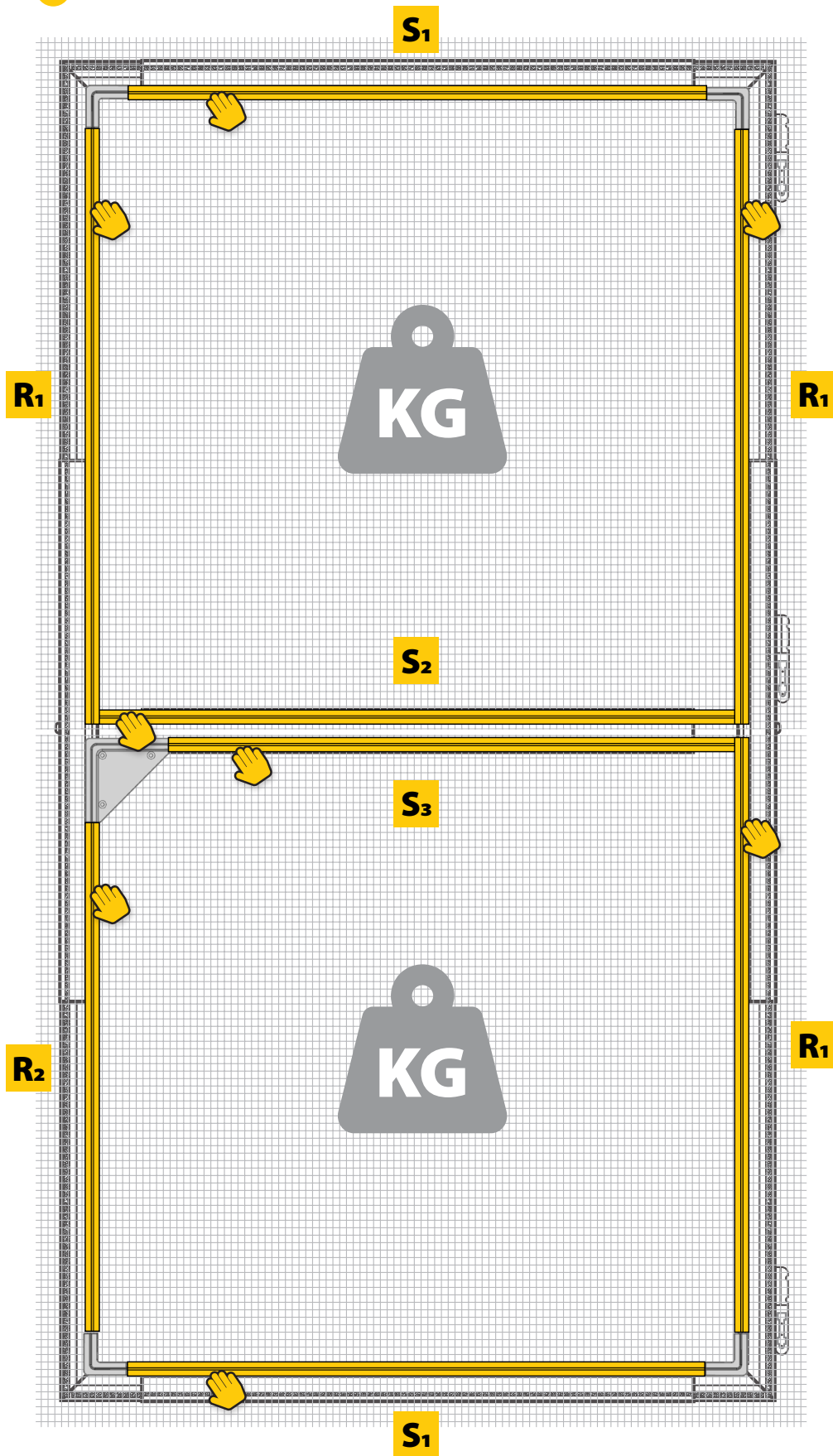
R₂ = _____ cm

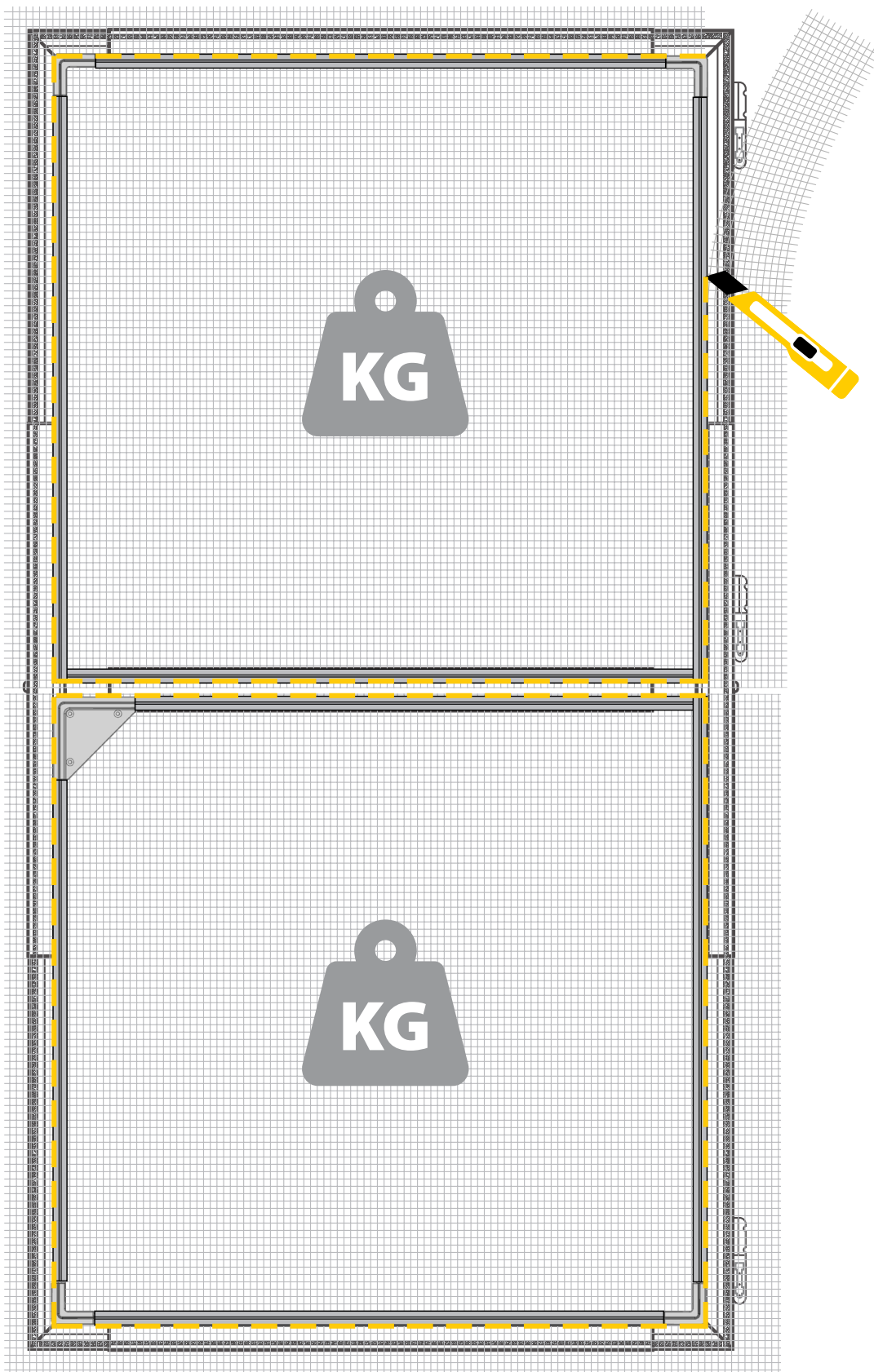
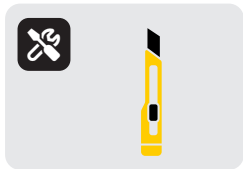
20

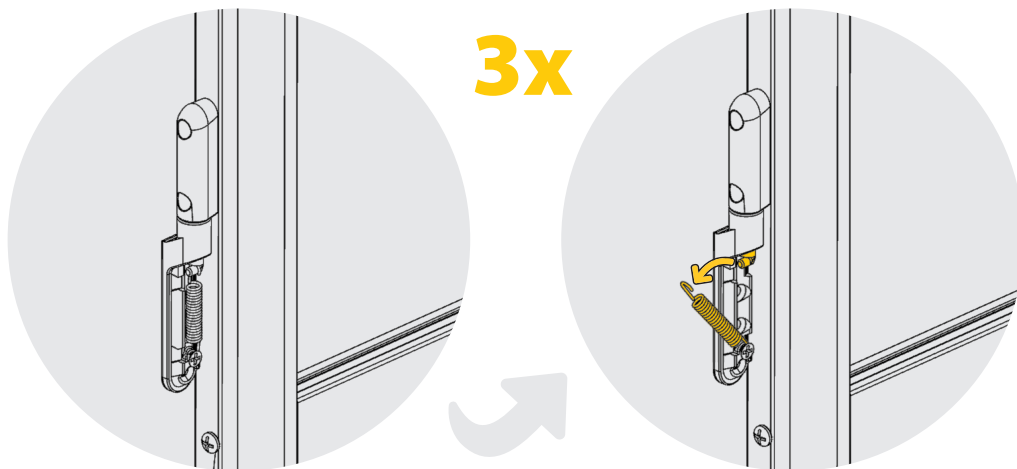
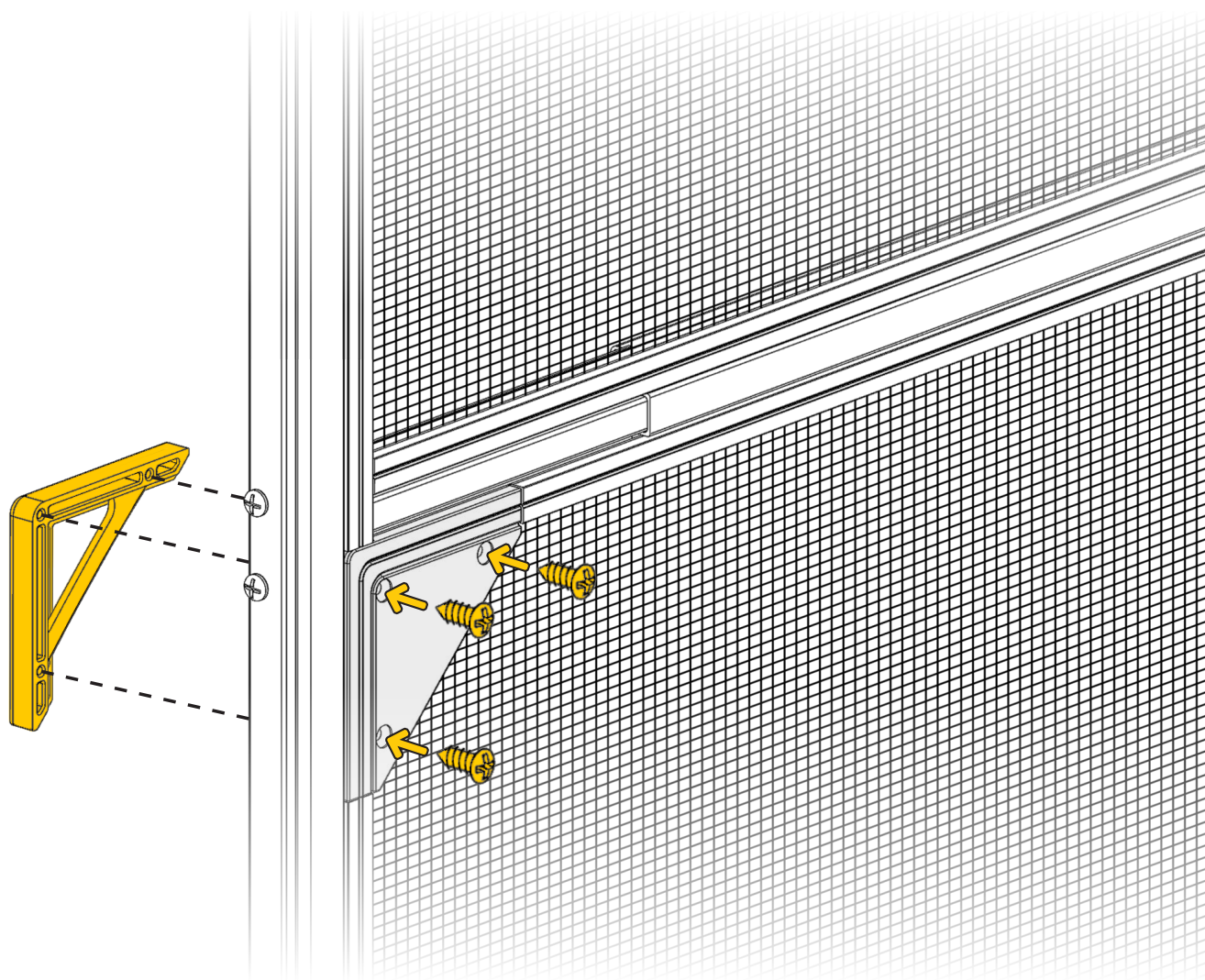


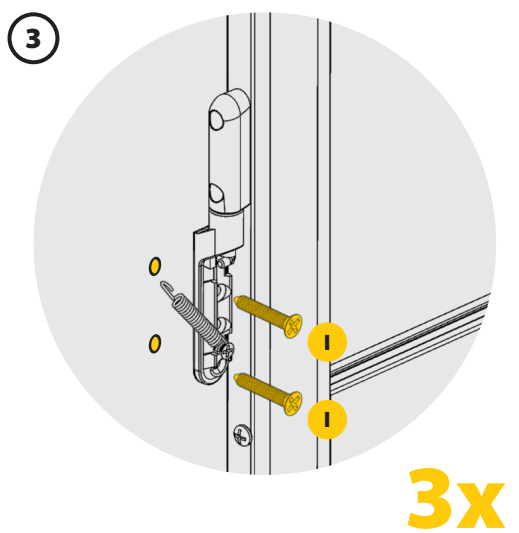
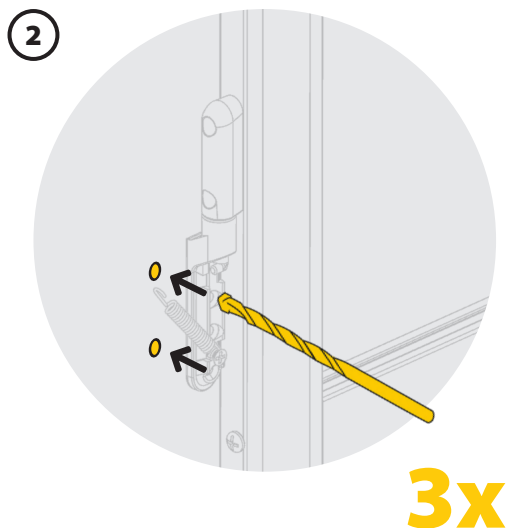
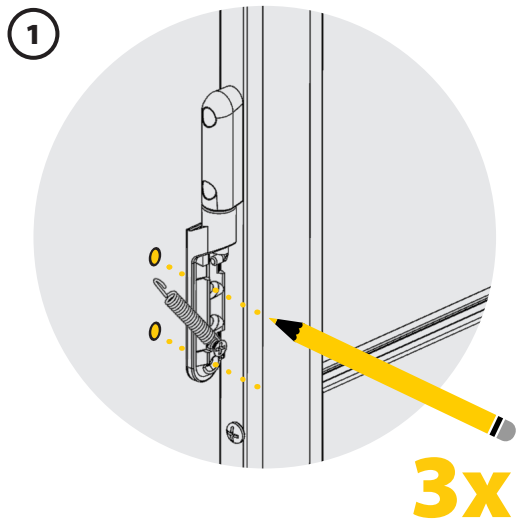
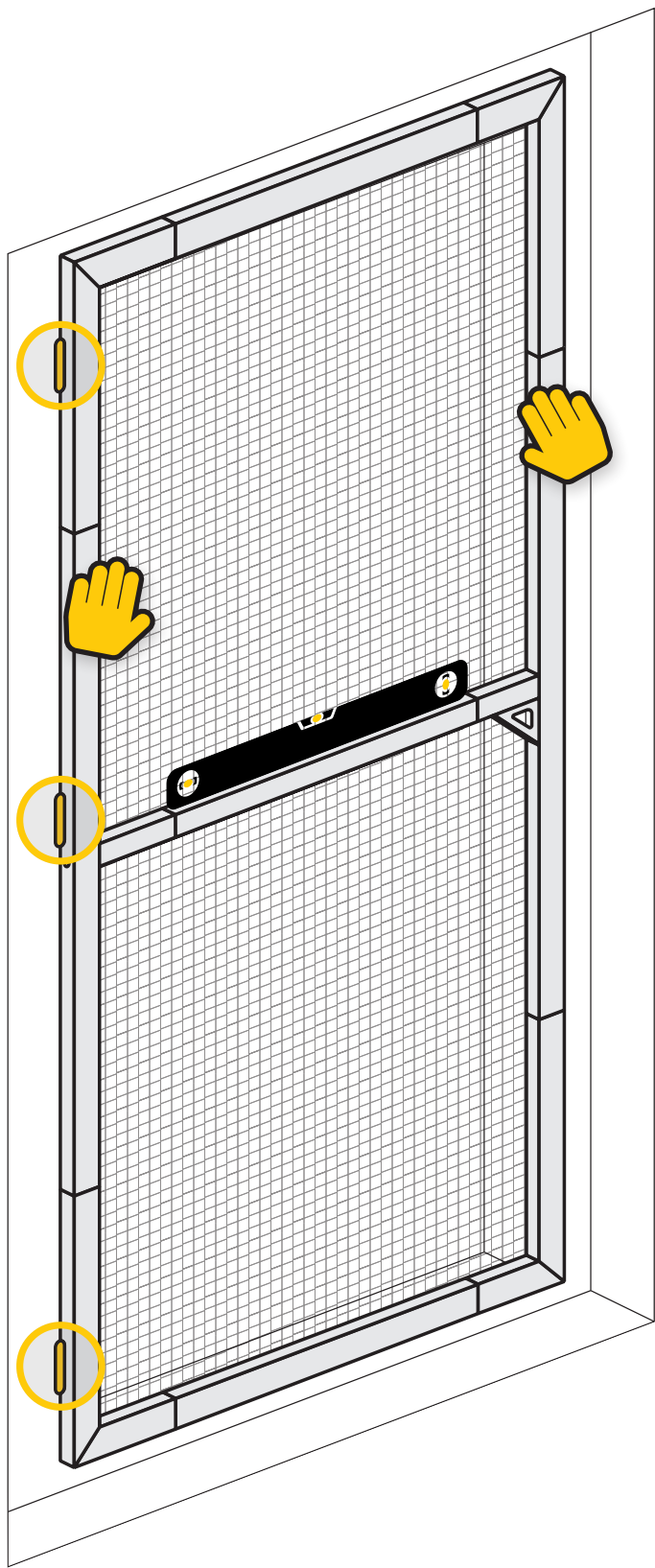
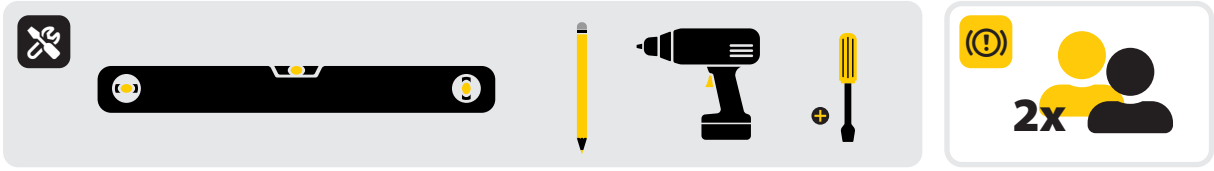


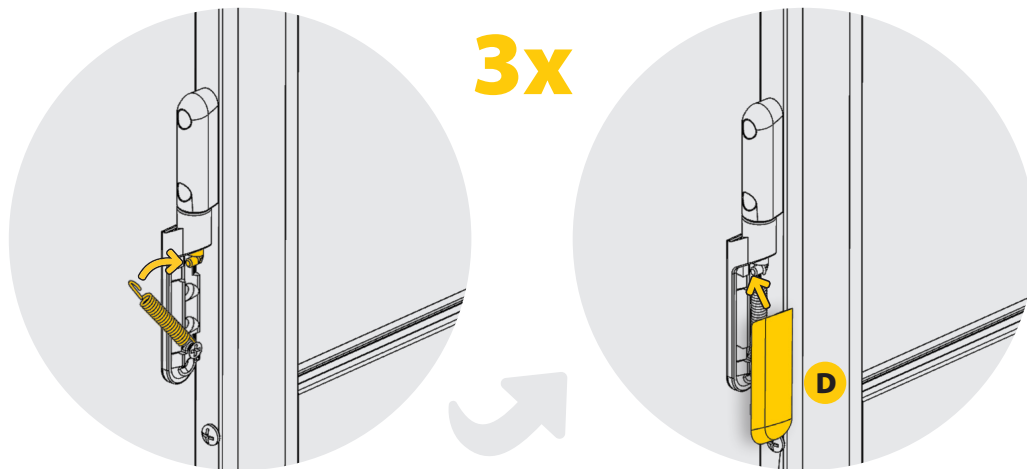
U 8x

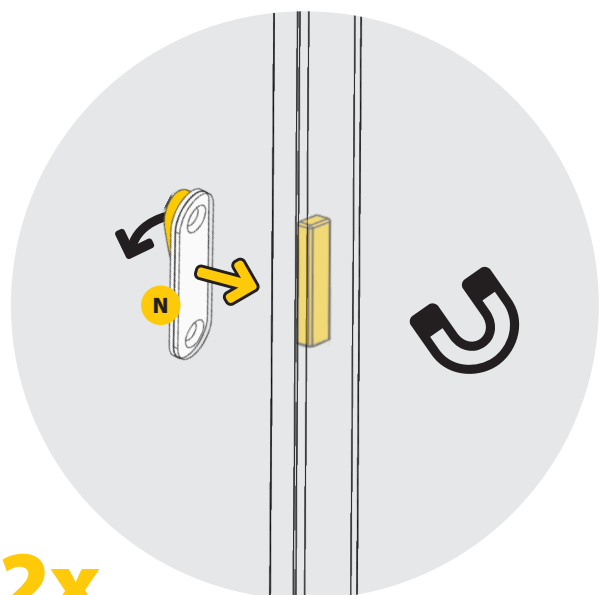




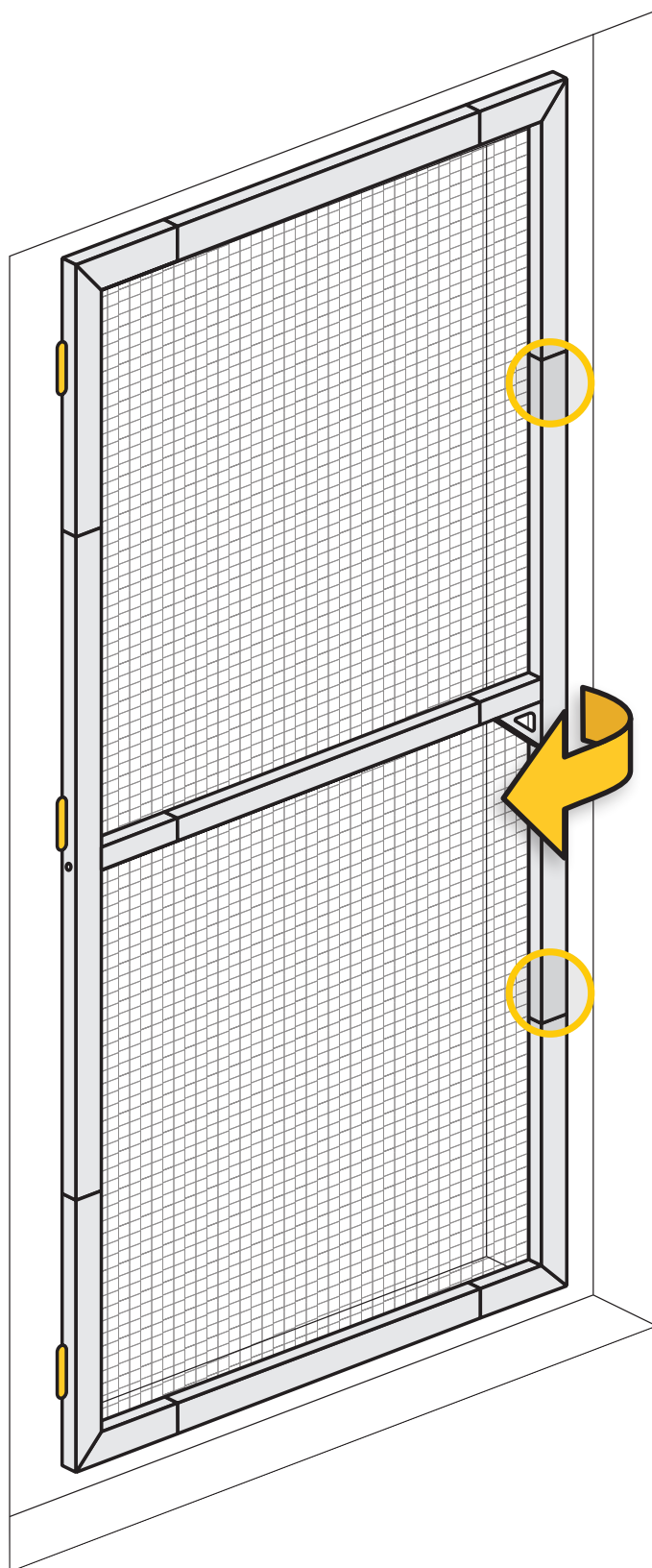


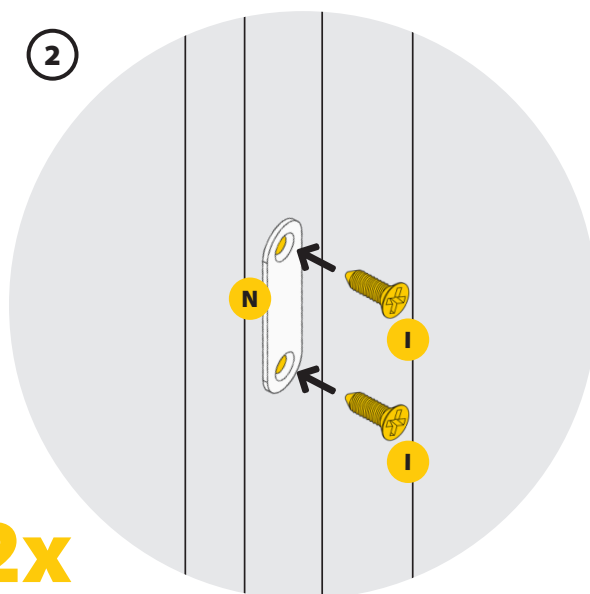
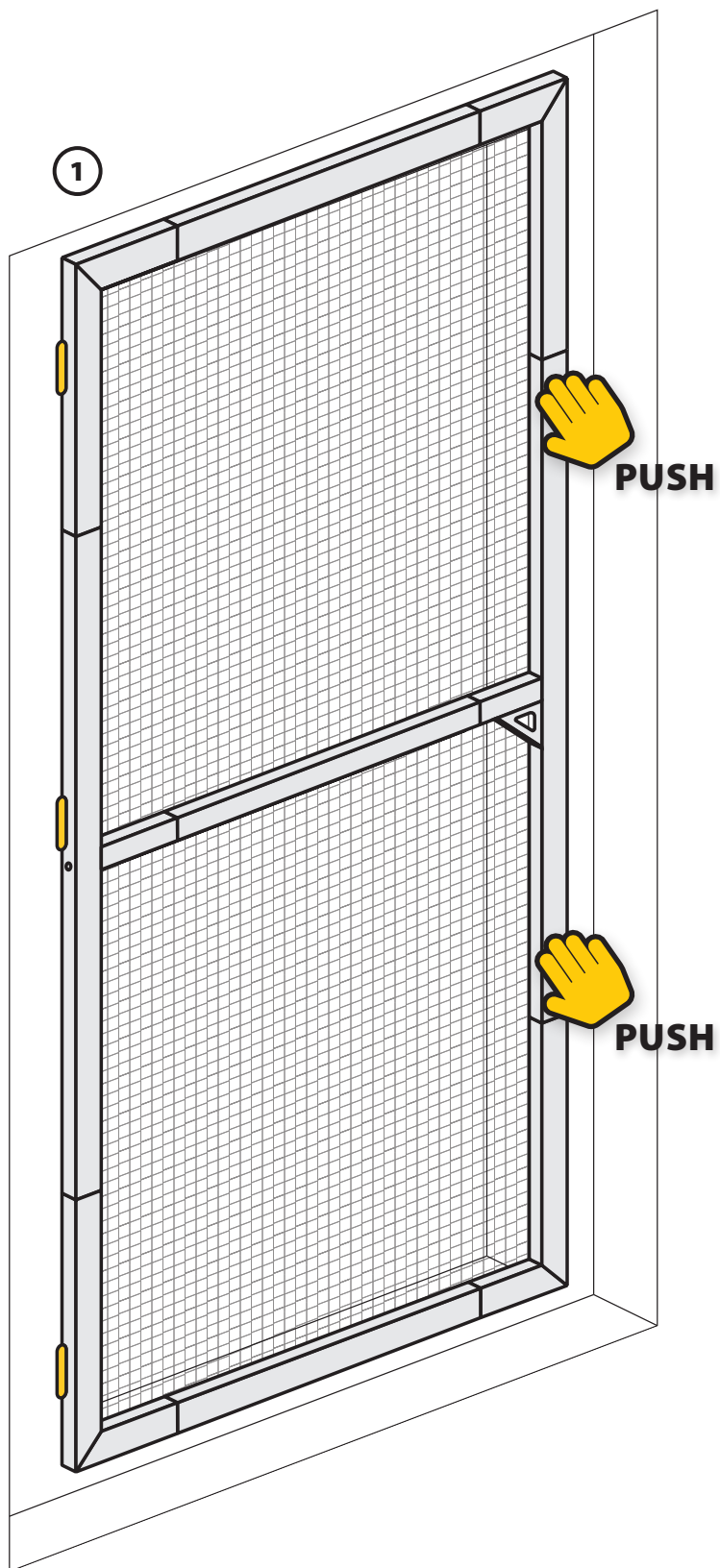




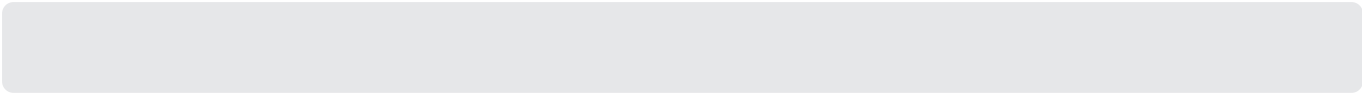


2x

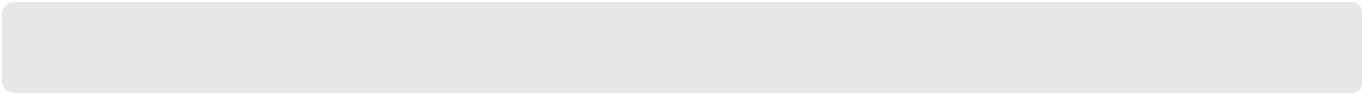




2x



A series of horizontal dotted lines for writing, spaced evenly down the page.



A series of 24 horizontal dotted lines spaced evenly down the page, serving as a guide for handwriting practice.



SERVICE

Mo-Fr 7.30 Uhr - 21.00 Uhr
Sa 8.00 Uhr - 14.00 Uhr
Tel +49 (0) 271 89 0 56 - 444
Fax +49 (0) 271 89 0 56 - 398

Alfred Schellenberg GmbH

An den Weiden 31
D-57078 Siegen
service.int@schellenberg.de
www.schellenberg.de

Schellenberg Professional GmbH

An den Weiden 45
D-57078 Siegen
info@schellenberg-professional.de
www.schellenberg-professional.de